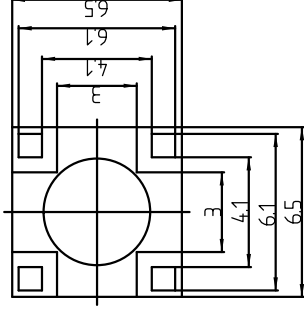
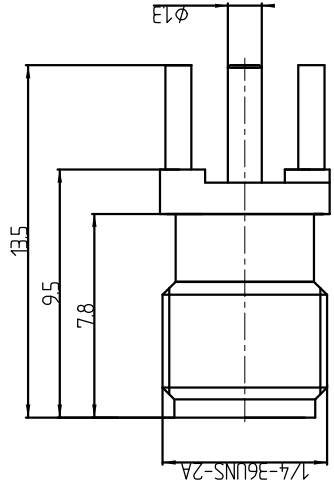
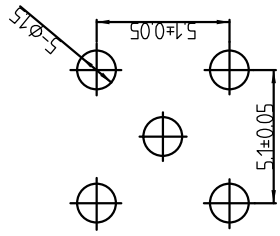


This document contains proprietary information and such information may not be disclosed to others for any purposes, not used for sales/marketing/procurement purposes without written permission



Recommended PCB Layout



- 1 Electrical
 - 1.1 Impedance 50Ω
 - 1.2 Frequency DC ~6GHz
 - 1.2 Dielectric withstanding voltage 1000V(volts RMS)
 - 1.3 Center contact resistance ≤ 3MΩ
 - 1.4 Outer contact resistance ≤ 2MΩ
 - 1.5 Insulation resistance: ≥5000MΩ

2 Environmental & Mechanical

- 2.1 Temperature range -45°C ~ 85°C
- 2.2 RoHS Compliant
- 2.3 Durability >500 cycles

3 Materials & plating

- 3.1 Body: Brass; Gold plated
- 3.2 Insulator: Teflon
- 3.3 Contact Pin: Beryllium Copper; Gold plated

REV	DESCRIPTION OF REVISION	ECN NO.	BY	DATE	APPROVED
A	Initial Release		T. Haiyuu	24/7/13	24/7/13

DRAWN: T. Haiyuu 24/07/13		TITLE:	
ENGINEER: C. Tao 24/07/13		RF Coaxial Connector	
APPROVED: W. Qiang 24/07/13		SMA Female Conn. PCB	
TOLERANCES UNLESS OTHERWISE SPECIFIED		SCALE: N/A	
X ±0.50	XX ±0.10	SHEET: 1/1	
XX ±0.20	ANGLES ±°	REV: A	
PART NO: SMA-KBD12		DIMENSION IN MILLIMETERS (mm)	
SIZE: A4		www.terulial.com	

Notes:

1. ALL SPECIFICATIONS ARE SUBJECT TO CHANGE NOTICE AT ANY TIME
2. CUSTOMER OUTLINE DRAWING FOR REFERENCE ONLY