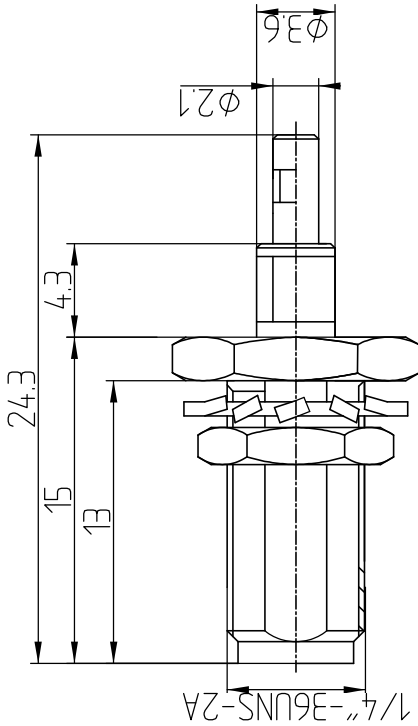
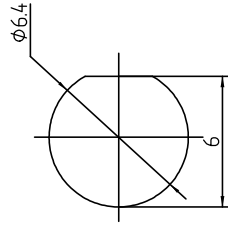


This document contains proprietary information and such information may not be disclosed to others for any purposes, not used for sales/marketing/procurement purposes without written permission

- 1 Electrical**
- 1.1 Impedance 50 Ω
  - 1.2 Frequency 0~3GHz
  - 1.3 Dielectric withstanding voltage 1000V(volts RMS)
  - 1.4 Center contact resistance ≤ 3MΩ
  - 1.5 Outer contact resistance ≤ 2MΩ
  - 1.6 Insulation resistance: ≥5000MΩ
- 2 Environmental&Mechanical**
- 2.1 Temperature range -45℃~85℃
  - 2.2 RoHs Compliant
  - 2.3 Durability >500 cycles
- 3 Materials&Finish**
- 3.1 Body: Brass, Gold Plated
  - 3.2 Insulator: Teflon
  - 3.3 Contact Pin: Brass, Gold plated
  - 3.4 Washer: Brass, Gold plated
  - 3.5 Hex Nut: Brass, Gold plated



Recommended Mounting hole



**Notes:**

- 1. ALL SPECIFICATIONS ARE SUBJECT TO CHANGE NOTICE AT ANY TIME
- 2. CUSTOMER OUTLINE DRAWING FOR REFERENCE ONLY

REV	DESCRIPTION OF REVISION	ECN NO.	BY	DATE	APPROVED
A	Initial Release		T. Shihua	14/9/13	14/9/13

DRAWN: T. Shihua 14/9/13 ENGINEER: C. Tao 14/9/13 APPROVED: W. Qiang 14/9/13 TOLERANCES UNLESS OTHERWISE SPECIFIED X +0.50 XX +0.20 ANGLES *°	TITLE: RF Coaxial Connector SMA Female bulkhead Conn. For RG1.13 cable PART NO: SMA-KY1.13E		www.tfh-f.com DIMENSION IN MILLIMETERS (mm)
SCALE: N/A	SHEET: 1/1	REV: A	SIZE: A4