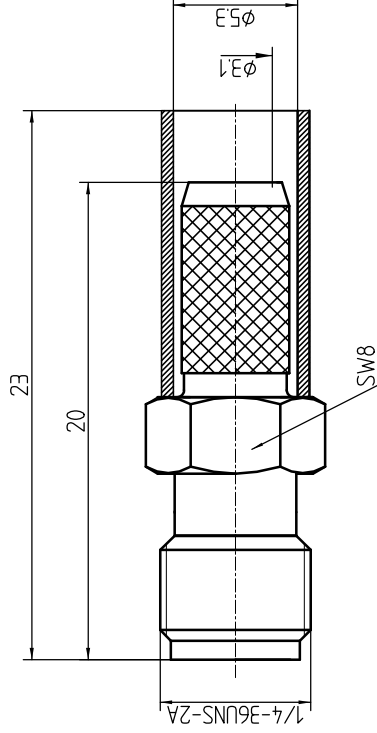


This document contains proprietary information and such information may not be disclosed to others for any purposes, not used for sales/marketing/procurement purposes without written permission

- 1 Electrical
 - 1.1 Impedance 50 Ω
 - 1.2 Frequency DC ~6GHz
 - 1.3 Dielectric withstanding voltage 1000V (volts RMS)
 - 1.4 Center contact resistance $\leq 3M\Omega$
 - 1.5 Outer contact resistance $\leq 2M\Omega$
 - 1.6 Insulation resistance $\geq 5000M\Omega$
 - 1.7 VSWR 1.30:1
- 2 Environmental & Mechanical
 - 2.1 Temperature range -40°C ~ +125°C
 - 2.2 RoHS Compliant
 - 2.3 Durability >500 cycles
- 3 Materials & Plating
 - 3.1 Body: Brass, gold plated
 - 3.2 Insulator: Teflon
 - 3.3 Contact Pin: Bronze, Gold plated
 - 3.4 Ferrule: Copper, Nickel plated



Recommended Cable Stripping Dimension



Notes:

- 1. ALL SPECIFICATIONS ARE SUBJECT TO CHANGE NOTICE AT ANY TIME
- 2. CUSTOMER OUTLINE DRAWING FOR REFERENCE ONLY

REV	DESCRIPTION OF REVISION	ECN NO.	BY	DATE	APPROVED
A	Initial Release		T. Haiyum	19/7/16	19/7/16

DRAWN: T. Haiyum 19/7/16		TITLE: RF Coaxial Connector	
ENGINEER: C. Tao 19/7/16		www.terulai.com	
APPROVED: W. Qiang 19/7/16		DIMENSION IN MILLIMETERS (mm)	
TOLERANCES UNLESS OTHERWISE SPECIFIED		SCALE: N/A	
X ±0.50		SIZE: A4	
.X ±0.20		SHEET: 1/1	
.XX ±0.10		REV: A	
ANGLES ±1°		PART NO: SMA-K200-F	