

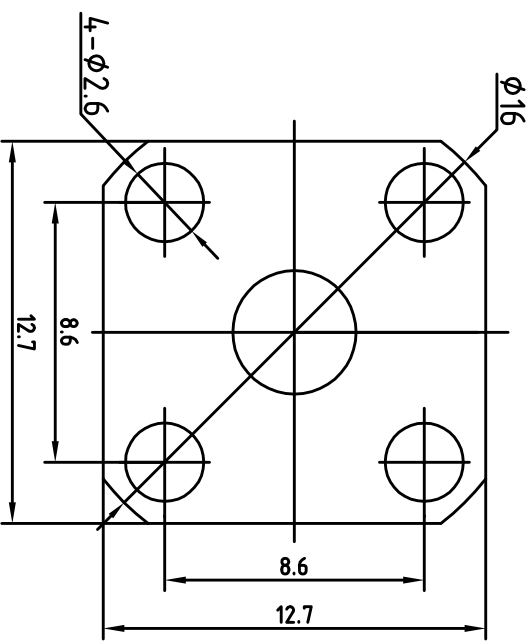
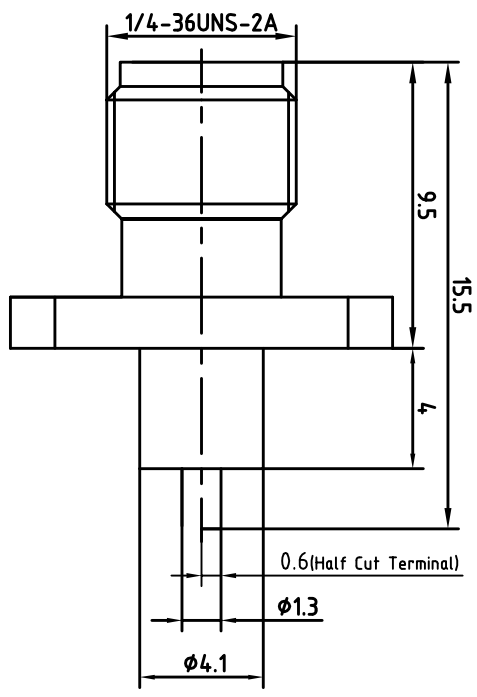
This document contains proprietary information and such information may not be disclosed to others for any purposes, not used for sales/marketing/procurement purposes without written permission

REV	DESCRIPTION OF REVISION	ECN NO.	BY	DATE	APPROVED
A	Initial Release		T.Holjun	5/11/14	5/11/14

- 1 Electrical
 - 1.1 Impedance 50Ω
 - 1.2 Frequency 0~18GHz
 - 1.2 Dielectric withstanding voltage 1000V(volts RMS)
 - 1.3 Center contact resistance ≤ 3MΩ
 - 1.4 Outer contact resistance ≤ 2MΩ
 - 1.5 Insulation resistance: ≥5000MΩ
 - 1.6 VSWR 1.2:1

- 2 Environmental&Mechanical
 - 2.1 Temperature range -55℃~155℃
 - 2.2 RoHS Compliant YES
 - 2.3 Durability >500 cycles

- 3 Materials&plating
 - 3.1 Body: Brass, Gold, plated
 - 3.2 Insulator: Teflon
 - 3.3 Contact Pin: Beryllium Copper, Gold,plated



Notes:

1. ALL SPECIFICATIONS ARE SUBJECT TO CHANGE NOTICE AT ANY TIME
2. CUSTOMER OUTLINE DRAWING FOR REFERENCE ONLY

DRAWN: T.Holjun 5/11/14	TITLE: SMA-KFD5A	Xi'an Reach-line Technology Co.,Ltd
ENGINEER: C.Too 5/11/14	SMA Female Flange Connector Mount	
APPROVED: W.Qiang 5/11/14	PART NO: TRU-SMA1721022	SIZE: A4
TOLERANCES UNLESS OTHERWISE SPECIFIED		SCALE: N/A
X ±0.20		SHEET: 1/1
XX ±0.10		REV: A
ANGLES 3°		