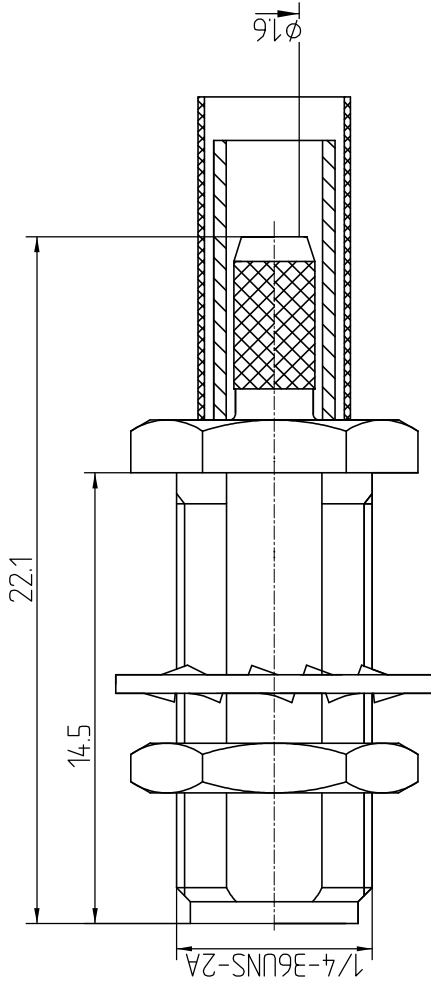
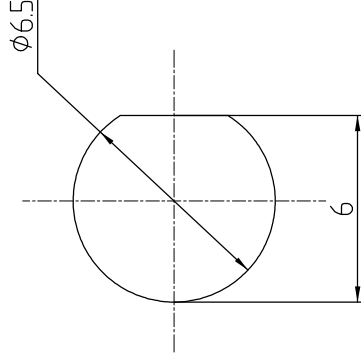


This document contains proprietary information and such information may not be disclosed to others for any purposes, not used for sales/marketing/procurement purposes without written permission

- 1 Electrical
  - 1.1 Impedence 50 Ω
  - 1.2 Frequency 0~6GHz
  - 1.3 Dielectric withstanding voltage 1000V(volts RMS)
  - 1.4 Center contact resistance ≤ 3M Ω
  - 1.5 Outer contact resistance ≤ 2M Ω
  - 1.6 Insulation resistance: ≥ 5000M Ω
  - 1.7 VSWR 1.25:1
- 2 Environmental&Mechanical
  - 2.1 Temperature range -45℃~85℃
  - 2.2 RoHs Compliant
  - 2.3 Durability >500 cycles
- 3 Materials&Finish
  - 3.1 Body: Brass, Gold Plated
  - 3.2 Insulator: Teflon
  - 3.3 Contact Pin: Beryllium-copper. Gold plated
  - 3.4 Washer: Brass, Gold plated
  - 3.5 Hex Nut: Brass, Gold plated





### Mounting Hole



### Notes:

- 1. ALL SPECIFICATIONS ARE SUBJECT TO CHANGE NOTICE AT ANY TIME
- 2. CUSTOMER OUTLINE DRAWING FOR REFERENCE ONLY

REV	DESCRIPTION OF REVISION	ECN NO.	BY	DATE	APPROVED
A	Initial Release		T. Shihua	14/9/13	14/9/13

DRAWN: T. Shihua 14/9/13	TITLE: RF Coaxial Connector		 www.rf-connector-china.com
ENGINEER: C. Tao 14/9/13	SMA Female bulkhead Conn. For RG316 cable		
APPROVED: W. Qiang 14/9/13	 DIMENSION IN MILLIMETERS (mm)		SCALE: N/A SHEET: 1/1 REV: A
TOLERANCES UNLESS OTHERWISE SPECIFIED X +0.50 XX +0.20 ANGLES *°	PART NO: SMA-KY3H		