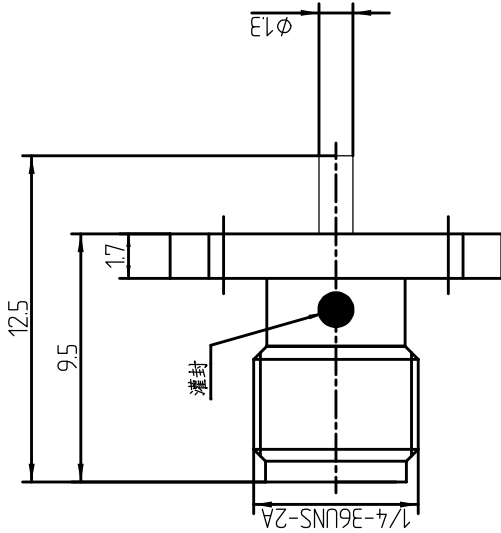


This document contains proprietary information and such information may not be disclosed to others for any purposes, not used for sales/marketing/procurement purposes without written permission



1. Electrical
 - 1.1 Impedance 50Ω
 - 1.2 Frequency DC ~18GHz
 - 1.2 Dielectric withstanding voltage 1000V (volts RMS)
 - 1.3 Center contact resistance $\leq 3M \Omega$
 - 1.4 Outer contact resistance $\leq 2M \Omega$
 - 1.5 Insulation resistance: $\geq 5000M \Omega$
 - 1.6 VSWR 1.2max

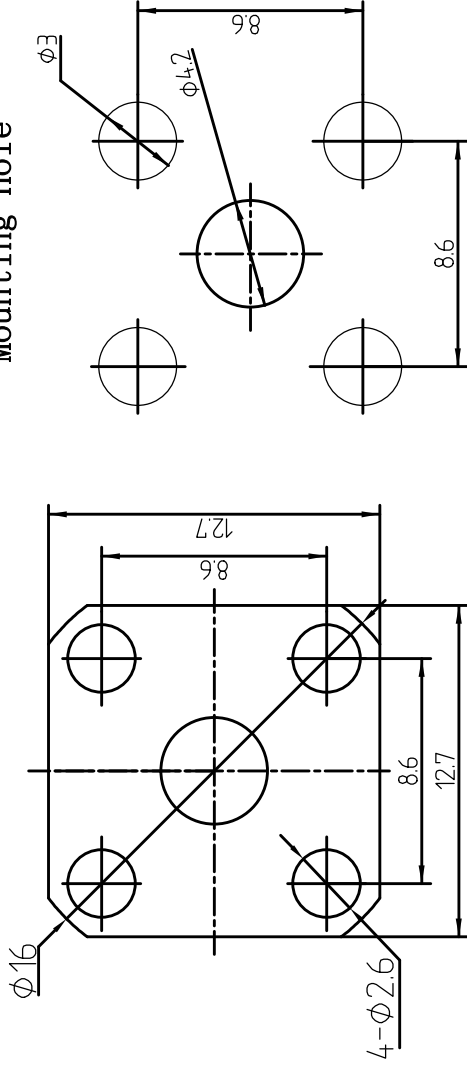
2. Environmental & Mechanical
 - 2.1 Temperature range $-45^{\circ}\text{C} \sim 85^{\circ}\text{C}$
 - 2.2 RoHS Compliant
 - 2.3 Durability >500 cycles

3. Materials & Plating
 - 3.1 Body: Brass, Gold plated
 - 3.2 Insulator: Teflon
 - 3.3 Contact Pin: Beryllium-copper, Gold plated

Notes:

1. ALL SPECIFICATIONS ARE SUBJECT TO CHANGE NOTICE AT ANY TIME
2. CUSTOMER OUTLINE DRAWING FOR REFERENCE ONLY

Mounting Hole



| REV | DESCRIPTION OF REVISION | ECN NO. | BY | DATE | APPROVED |
|-----|-------------------------|---------|-----------|----------|----------|
| A | Initial Release | | T. Haiyum | 15/09/17 | 15/09/17 |

| | | | | |
|---|---|------------|--------|--|
| DRAWN: T. Haiyum 15/09/17 ENGINEER: C. Tao 15/09/17 APPROVED: W. Qiang 15/09/17 TOLERANCES UNLESS OTHERWISE SPECIFIED X ± 0.50 .X ± 0.20 .XX ± 0.10 ANGLES $\neq 45^{\circ}$ | TITLE: RF Coaxial Connector SMA Female Flange Conn. Terminal | | | www.tfh-f.com DIMENSION IN MILLIMETERS (mm) |
| PART NO: SMA-KFD1021A | SCALE: N/A | SHEET: 1/1 | REV: A | |