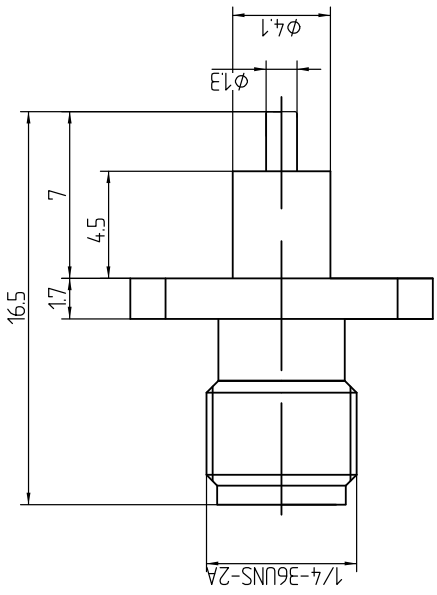


This document contains proprietary information and such information may not be disclosed to others for any purposes, not used for sales/marketing/procurement purposes without written permission

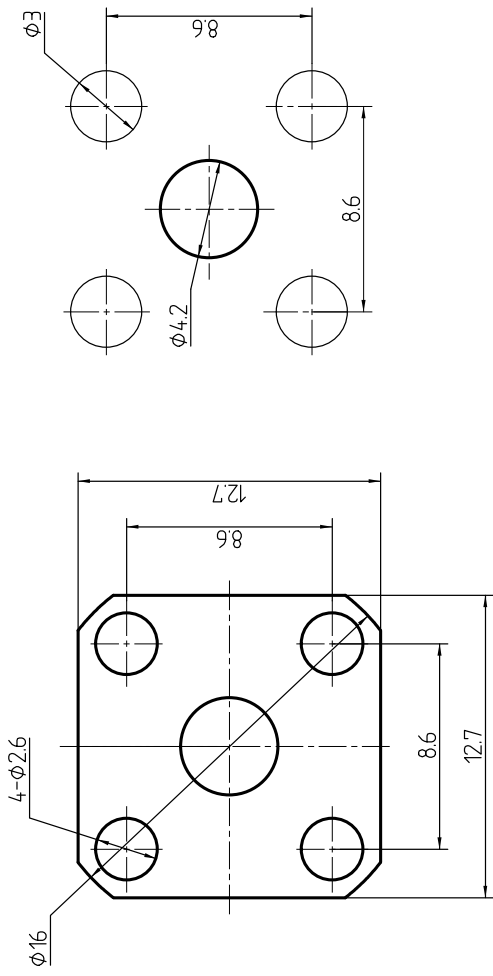


- 1 Electrical
 - 1.1 Impedance 50 Ω
 - 1.2 Frequency DC~18GHz
 - 1.3 VSWR 1.20:1
- 2 Environmental&Mechanical
 - 2.1 Temperature range -45℃~125℃
 - 2.2 RoHS Compliant Yes
 - 2.3 Durability >500 cycles

- 3 Materials&plating
 - 3.1 Body: Brass; Gold, plated
 - 3.2 Insulator: Teflon
 - 3.3 Contact Pin: Beryllium Copper; Gold,plated

Notes:
 1. ALL SPECIFICATIONS ARE SUBJECT TO CHANGE NOTICE AT ANY TIME
 2. CUSTOMER OUTLINE DRAWING FOR REFERENCE ONLY

Recommended Mounting Hole



REV	DESCRIPTION OF REVISION	ECN NO.	BY	DATE	APPROVED
A	Initial Release		T. Haiyum	16/8/16	16/8/16

DRAW : T. Haiyum 16/8/16		TITLE: Connector	
DESIGNER : C. Tao 16/8/16		SMA Mount	
APPROVED : W. Qiang 16/8/16		SMA Mount	
TOLERANCES UNLESS OTHERWISE SPECIFIED		DIMENSION IN MILLIMETERS (mm)	
X ±0.50		1/1	
.X ±0.20		N/A	
.XX ±0.10		N/A	
ANGLES ±°		A	



www.qrl.com

1

2

3

4

A

B

1

2

3

4