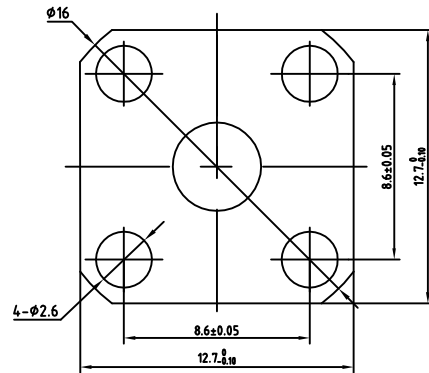
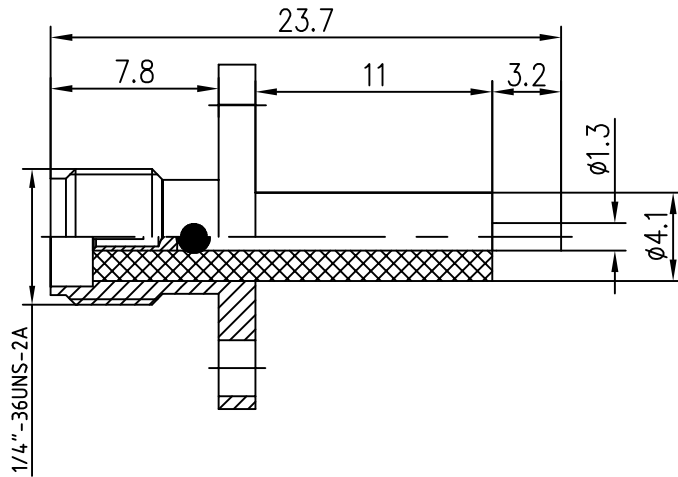


TR131013G

This document contains proprietary information and such information may not be disclosed to others for any purposes, nor used for sales/marketing/procurement purposes without written permission
 本文件包含专有信息，没有书面许可，该信息不能以任何形式披露给第三方，也不能用于任何目的买卖、销售及采购。

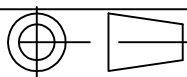


1 Electrical

- 1.1 Impedance: 50Ω
- 1.2 Frequency: 0~18GHz
- 1.3 VSWR: 1.3 max
- 1.4 Working voltage: ≤335V
- 1.5 Insulation resistance: ≥5000MΩ
- 1.6 Dielectric strength: 1000V
- 1.7 Contact resistance: Center contact ≤ 3MΩ
 Outer contact ≤ 2.5MΩ

2 Material&Finish

- 2.1 Inner Contact: gold plated over Beryllium-copper.
- 2.2 Outer Contact: gold plated over brass.
- 2.3 Insulators: Teflon



Scale	1:1	
	Name	Date
Designed	Mike Du	23-Oct-13
Checked	Jason Cai	23-Oct-13
Approved	Rita Guo	23-Oct-13

SMA-KFD906
 RF Coaxial Connector

UNLESS OTHERWISE SPECIFIED
 DIMENSIONS ARE mm, TOLERANCES ARE:
 FRACTIONS DECIMALS ANGLES
 .X± .15 ±1°
 .XX± .05
 .XXX±

Xi'an T-RELY ELECTRONICS CO., LTD.