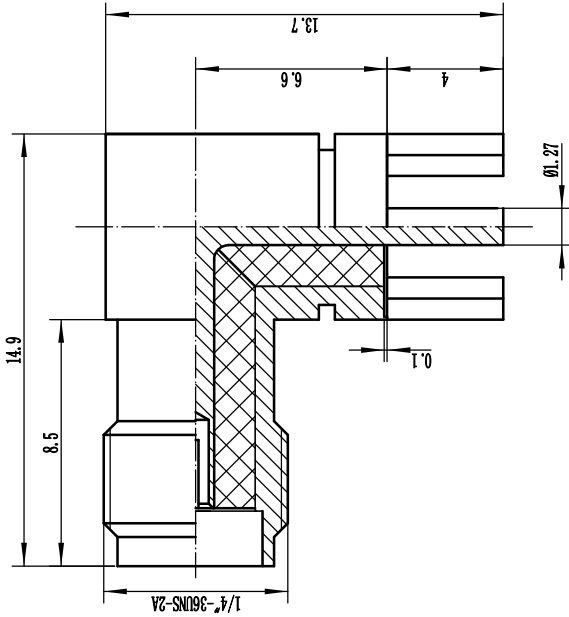
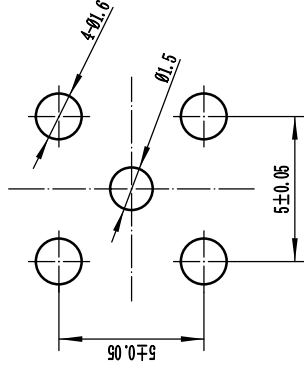


This document contains proprietary information and such information may not be disclosed to others for any purposes, not used for sales/marketing/procurement purposes without written permission

REV	DESCRIPTION OF REVISION	ECN NO.	BY	DATE	APPROVED
A	Initial Release		T.Shihua	18/7/13	18/7/13



### Recommended Mounting Hole



1. Electrical
  - 1.1 Impedance: 50 Ω
  - 1.2 Frequency: 0~6GHz
  - 1.3 Dielectric withstanding voltage: 1500V(volts RMS)
  - 1.4 Center contact resistance: ≤ 1MΩ
  - 1.5 Outer contact resistance: ≤ 0.2MΩ
  - 1.6 Insulation resistance: ≥ 50000MΩ
2. Environmental&Mechanical
  - 2.1 Temperature range: -45℃~125℃
  - 2.2 RoHs Compliant
  - 2.3 Durability: >500 cycles



### 3. Materials&plating

- 3.1 Body: Brass, gold plated
- 3.2 Insulator: Teflon
- 3.3 Contact Pin: Beryllium-copper, Gold plated

### Notes:

1. ALL SPECIFICATIONS ARE SUBJECT TO CHANGE NOTICE AT ANY TIME
2. CUSTOMER OUTLINE DRAWING FOR REFERENCE ONLY

DRAWN: T.Shihua 22/01/16
ENGINEER: C.Tao 22/01/16
APPROVED: W.Qiang 22/01/16
TOLERANCES UNLESS OTHERWISE SPECIFIED
X ±0.50
.X ±0.20
.XX ±0.10
ANGLES °

TITLE: <b>RF Coaxial Connector</b>				<a href="http://www.teruilai.com">www.teruilai.com</a>	
SMA Female R/A PCB Mount				DIMENSION IN MILLIMETERS (mm)	
PART NO: SMA-KWHD11	SCALE: N/A	SHEET: 1/1	REV: A		