

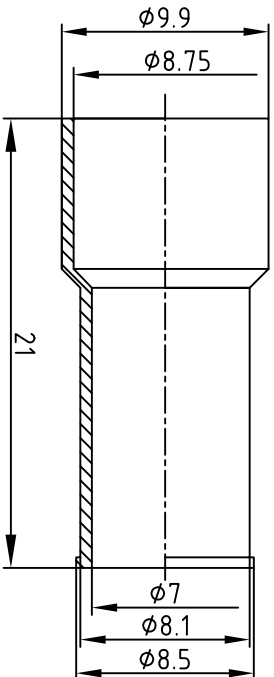
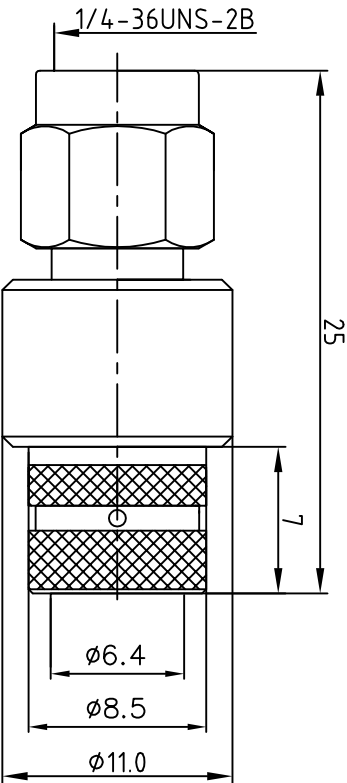
This document contains proprietary information and such information may not be disclosed to others for any purposes, not used for sales/marketing/procurement purposes without written permission

REV	DESCRIPTION OF REVISION	ECN NO.	BY	DATE	APPROVED
A	Initial Release		T.Holjyn	23/5/14	23/5/14
B	New Release		T.Holjyn	25/5/14	25/5/14

- 1 Electrical**
- 1.1 Impedence: 50Ω
  - 1.2 Frequency: DC~6GHz
  - 1.3 Dielectric withstanding voltage: 1000V (volts RMS)
  - 1.4 Center contact resistance: ≤ 3MΩ
  - 1.5 Outer contact resistance: ≤ 2MΩ
  - 1.6 Insulation resistance: ≥ 5000MΩ


- 2 Environmental&Mechanical**
- 2.1 Temperature range: -40°C~+70°C
  - 2.2 RoHS Compliant
  - 2.3 Durability: >500 cycles

- 3 Materials&plating**
- 3.1 Body: Brass, SUCCO-plated ≥ 3μm
  - 3.2 Insulator: Teflon
  - 3.3 Contact Pin: Brass, Silver plated ≥ 5μm
  - 3.4 Nut: Brass, SUCCO-Plated ≥ 3μm
  - 3.5 Gasket: Silicon Rubber ( red color)
  - 3.6 Ferrule: Copper, Surco-plated ≥ 3μm



**Notes:**

- 1. ALL SPECIFICATIONS ARE SUBJECT TO CHANGE NOTICE AT ANY TIME
- 2. CUSTOMER OUTLINE DRAWING FOR REFERENCE ONLY

DRAWN: T.Holjyn 25/5/14	TITLE: SMA-JB401H	 www.prl.com.cn
ENGINEER: C.Too 25/5/14	APPROVED: W.Qiang 25/5/14	
TOLERANCES UNLESS OTHERWISE SPECIFIED X ±0.30 XX ±0.20 ANGLEs ±1°		DIMENSION IN MILLIMETERS (mm) SCALE: 1:1 SHEET: 1/1 REV: A
PART NO: TRL-SMA-468914 SMA Male Conn. for RG401 Cable		