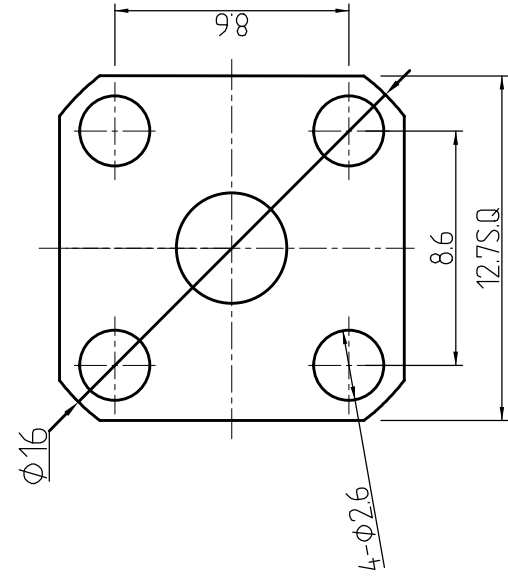
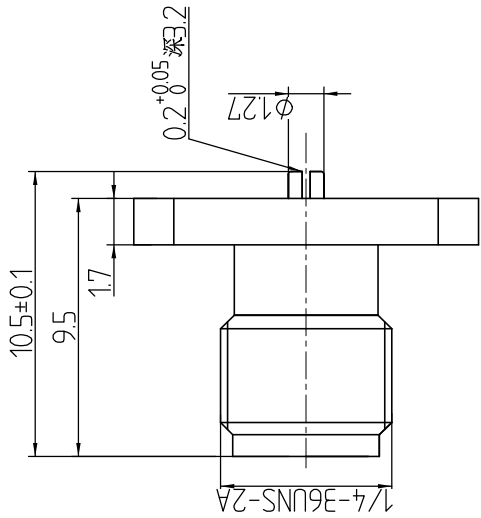
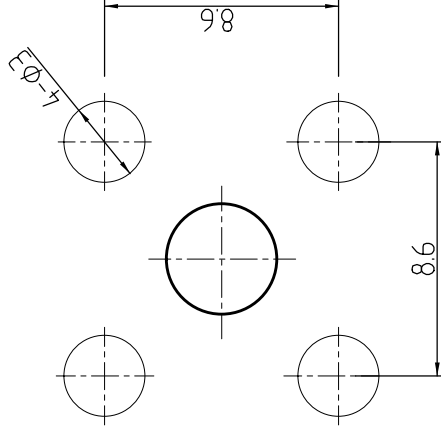


This document contains proprietary information and such information may not be disclosed to others for any purposes, not used for sales/marketing/procurement purposes without written permission

REV	DESCRIPTION OF REVISION	ECN NO.	BY	DATE	APPROVED
A	Initial Release		T.HoYun	07/04/16	07/04/16



Recommended Mounting Hole



1 电气性能

- 1.1 特性阻抗 50 Ω
- 1.2 频率 DC ~6GHz
- 1.3 介质耐压 1000V
- 1.4 中心导体电阻 ≤ 3MΩ
- 1.5 外导体电阻 ≤ 2MΩ
- 1.6 绝缘电阻 ≥ 5000MΩ
- 1.7 VSWR ≤ 1.20 : 1



2 材料及涂覆

- 2.1 外壳: 黄铜, 镀金
- 2.2 绝缘子: teflon
- 2.3 内导体: 锡青铜, 镀金

Notes:

- 1. ALL SPECIFICATIONS ARE SUBJECT TO CHANGE NOTICE AT ANY TIME
- 2. CUSTOMER OUTLINE DRAWING FOR REFERENCE ONLY

DRAWN: T.HoYun 07/04/16	TITLE: RF Coaxial Connector
ENGINEER: C.Tao 07/04/16	SMA Female Flange Connector Mount
APPROVED: W.Qiang 07/04/16	
TOLERANCES UNLESS OTHERWISE SPECIFIED	
X ±0.20	
XX ±0.10	
ANGLES 45°	

		www.terulilai.com	
		DIMENSION IN MILLIMETERS (mm)	
SIZE: A4	SCALE: N/A	SHEET: 1/1	REV: A
PART NO: SMA-KFEB07A			

4

3

2

1

B

B

4

3

2

1