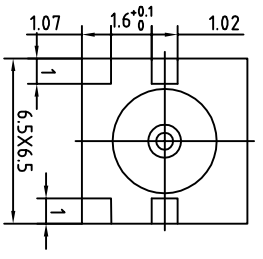
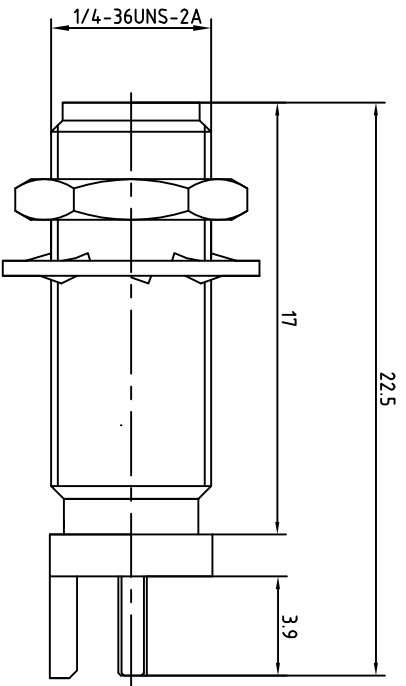


This document contains proprietary information and such information may not be disclosed to others for any purposes, not used for sales/marketing/procurement purposes without written permission

REV	DESCRIPTION OF REVISION	ECN NO.	BY	DATE	APPROVED
A	Initial Release		T.Shihua	14/9/13	14/9/13



- 1 Electrical
 - 1.1 Impedance 50 Ω
 - 1.2 Frequency DC~6GHz
 - 1.3 Dielectric withstanding voltage 1000V(volts RMS)
 - 1.4 Center contact resistance $\leq 3m\Omega$
 - 1.5 Outer contact resistance $\leq 2m\Omega$
 - 1.6 Insulation resistance: $\geq 5000M\Omega$
- 2 Environmental&Mechanical
 - 2.1 Temperature range -55 $^{\circ}C$ ~155 $^{\circ}C$
 - 2.2 RoHs Compliant
 - 2.3 Durability >500 cycles
- 3 Materials&plating (Micro-inch)
 - 3.1 Body: Brass, Gold Plated
 - 3.2 Insulator: Teflon
 - 3.3 Contact Pin: Brass, gold plated
 - 3.4 Washer: Brass, Gold plated
 - 3.5 Hex Nut: Brass, Gold plated

Notes:
 1.ALL SPECIFICATIONS ARE SUBJECT TO CHANGE NOTICE AT ANY TIME
 2.CUSTOMER OUTLINE DRAWING FOR REFERENCE ONLY

DRAWN: T.Shihua 14/9/13	TITLE: SMA-KYHDC2	SMA Female bulkhead Conn. Edge Mount	 www.tti-f.com
ENGINEER: C.Too 14/9/13	APPROVED: W.Qiang 14/9/13		
TOLERANCES UNLESS OTHERWISE SPECIFIED		PART NO: TRU-SMAF-512812	SIZE: A4
X ±0.20	XX ±0.10	ANGLES 3 $^{\circ}$	SCALE: N/A
		 DIMENSION IN MILLIMETERS (mm)	SHEET: 1/1
			REV: A