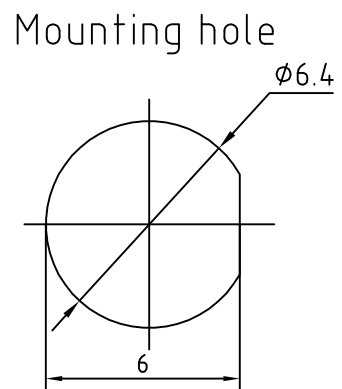
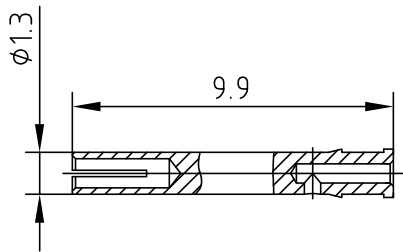
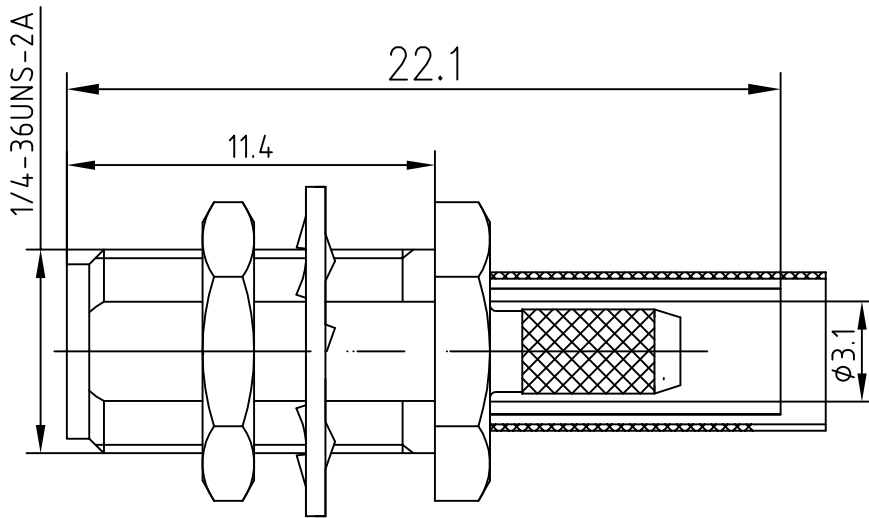


TRL110902E



Notes:

Electrical characteristics

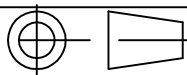
1. Impedance:  $50\Omega$
2. Working voltage:  $\leq 335V$
3. Insulation resistance:  $\geq 5000M\Omega$
4. Dielectric strength:  $1000V$
5. Contact resistance: Center contact  $\leq 3M\Omega$   
Outer contact  $\leq 2.5M\Omega$

Material & Finish

Inner Contact: gold plated over Beryllium-copper.

Outer Contact: nickel plated over brass.

Insulators: Teflon



Scale

1:1

Name	Date
Designed Michael Tang	17-Aug-10
Checked Jason Cai	17-Aug-10
Approved Teresa	17-Aug-10

SMA-KY3

SMA female B/H conn. for  
RG174 Cable

UNLESS OTHERWISE SPECIFIED  
DIMENSIONS ARE mm, TOLERANCES ARE:  
FRACTIONS DECIMALS ANGLES

.X± .15 ±1°  
.XX± .05  
.XXX±

Xi'an T-RELY ELECTRONICS CO., LTD.