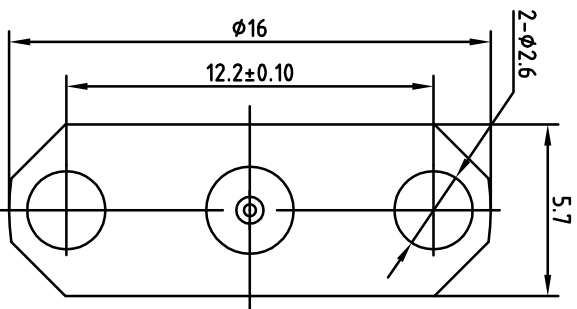
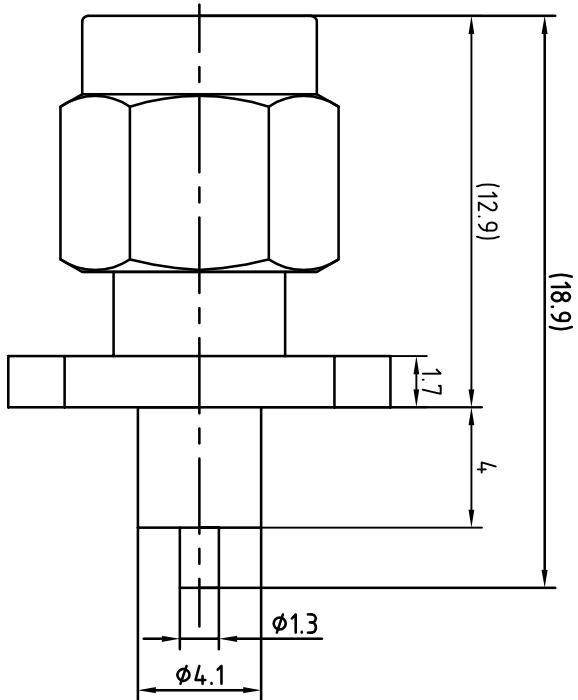


This document contains proprietary information and such information may not be disclosed to others for any purposes, not used for sales/marketing/procurement purposes without written permission

REV	DESCRIPTION OF REVISION	ECN NO.	BY	DATE	APPROVED
A	Initial Release		T.Holjun	5/11/14	5/11/14




- 1 Electrical**
- 1.1 Impedance 50Ω
  - 1.2 Frequency 0~6GHz
  - 1.2 Dielectric withstanding voltage 1000V(volts RMS)
  - 1.3 Center contact resistance ≤ 3MΩ
  - 1.4 Outer contact resistance ≤ 2MΩ
  - 1.5 Insulation resistance: ≥5000MΩ
  - 1.6 VSWR 1.3:1

- 2 Environmental&Mechanical**
- 2.1 Temperature range -55℃~155℃
  - 2.2 RoHS Compliant YES
  - 2.3 Durability >500 cycles
- 3 Materials&plating**
- 3.1 Body: Brass; Gold, plated
  - 3.2 Insulator: Teflon
  - 3.3 Contact Pin: Brass; Gold,plated

**Notes:**

- 1.ALL SPECIFICATIONS ARE SUBJECT TO CHANGE NOTICE AT ANY TIME
- 2.CUSTOMER OUTLINE DRAWING FOR REFERENCE ONLY

DRAWN: T.Holjun 5/11/14	TITLE: SMA-JFD38	 www.terillal.com
ENGINEER: C.Too 5/11/14	SMA male Flange Connector Terminal	
APPROVED: W.Qiang 5/11/14		
TOLERANCES UNLESS OTHERWISE SPECIFIED		
X ±0.30		
.X ±0.20		
.XX ±0.10		
ANGLES 3°		
PART NO: TRU-SMA1711004	SIZE: A4	SCALE: N/A
	SHEET: 1/1	REV: A