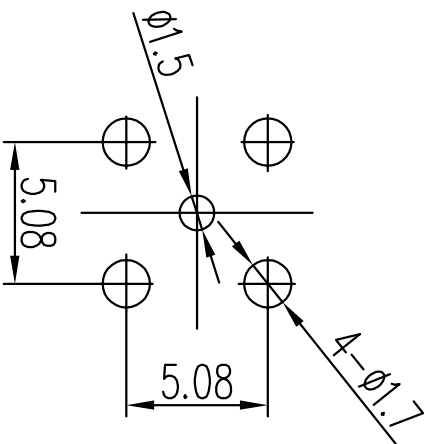
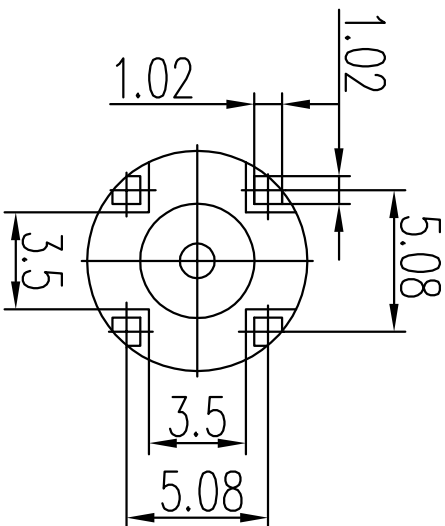
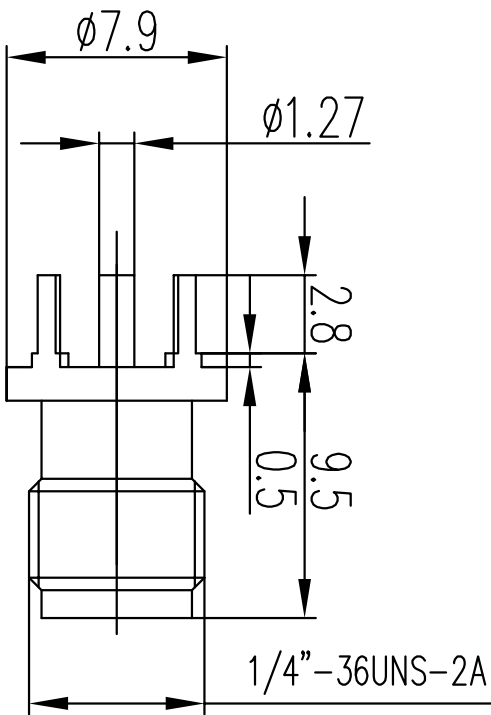


This document contains proprietary information and such information may not be disclosed to others for any purposes, not used for sales/marketing/procurement purposes without written permission



REV	DESCRIPTION OF REVISION	ECN NO.	BY	DATE	APPROVED
A	Initial Release		T.Holjun	6/8/16	6/8/16

- 1 Electrical**
- 1.1 Impedance: 50Ω
 - 1.2 Frequency: DC~18GHz
 - 1.3 Dielectric withstanding voltage: 1000V(volts RMS)
 - 1.4 Center contact resistance: ≤ 3MΩ
 - 1.5 Outer contact resistance: ≤ 2MΩ
 - 1.6 Insulation resistance: ≥5000MΩ
 - 1.7 VSWR: 1.25:1

- 2 Environmental&Mechanical**
- 2.1 Temperature range: -40℃~+70℃
 - 2.2 Rohs Compliant
 - 2.3 Durability: >500 cycles

- 3 Materials&plating**
- 3.1 Body: Brass, Gold Plated
 - 3.2 Insulator: Teflon,
 - 3.3 Contact Pin: Beryllium-copper, Gold plated

Notes:

- 1. ALL SPECIFICATIONS ARE SUBJECT TO CHANGE NOTICE AT ANY TIME
- 2. CUSTOMER OUTLINE DRAWING FOR REFERENCE ONLY

DRAWN:	T.Holjun 6/8/16
ENGINEER:	C.Too 6/8/16
APPROVED:	W.Qiang 6/8/16
TOLERANCES UNLESS OTHERWISE SPECIFIED	
X	±0.30
.X	±0.20
.XX	±0.10
ANGLES	5°

TITLE:	SMA Female Conn. PCB
PART NO:	TRL-SMA-468926

SIZE:	A4
SCALE:	1:1
SHEET:	1/1
REV:	A

Xian Reach-Line
Technology Co., Ltd



DIMENSION IN MILLIMETERS (mm)