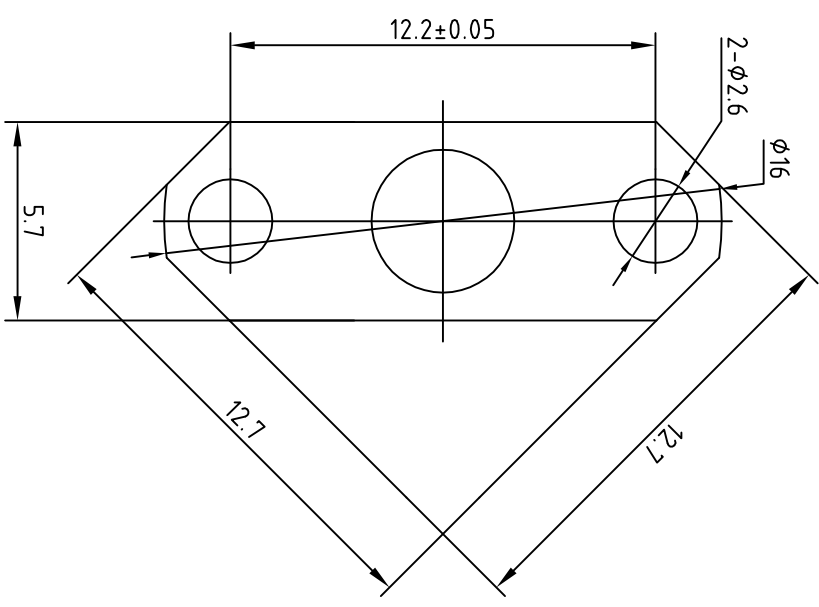
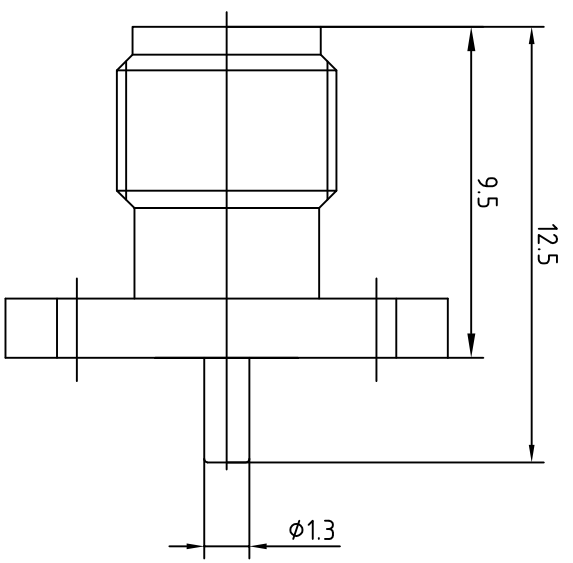



This document contains proprietary information and such information may not be disclosed to others for any purposes, not used for sales/marketing/procurement purposes without written permission

REV	DESCRIPTION OF REVISION	ECN NO.	BY	DATE	APPROVED
A	Initial Release		T.Holjun	23/5/14	23/5/14



Notes:

1. ALL SPECIFICATIONS ARE SUBJECT TO CHANGE NOTICE AT ANY TIME
2. CUSTOMER OUTLINE DRAWING FOR REFERENCE ONLY

DRAWN: T.Holjun 25/5/14	TITLE: SMA-KFD1003	 www.tril.com
ENGINEER: C.Too 25/5/14	SMA Female Flange Conn. for Terminal	
APPROVED: W.Qiang 25/5/14	PART NO: TRL-SMAF-468936	SIZE: A4
TOLERANCES UNLESS OTHERWISE SPECIFIED		SCALE: N/A
X ±0.30		SHEET: 1/1
.X ±0.20		REV: A
.XX ±0.10		
ANGLES 30°		

DIMENSION IN MILLIMETERS (mm)