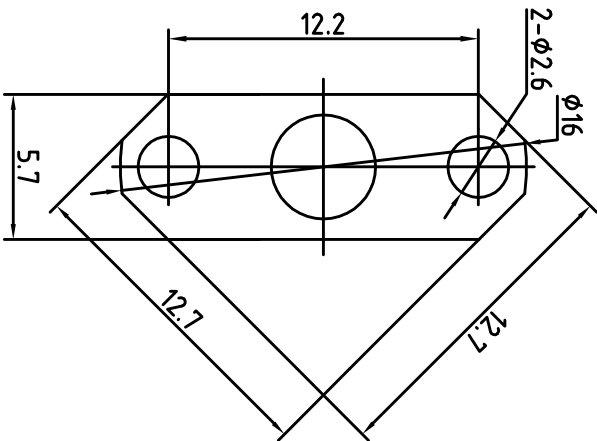
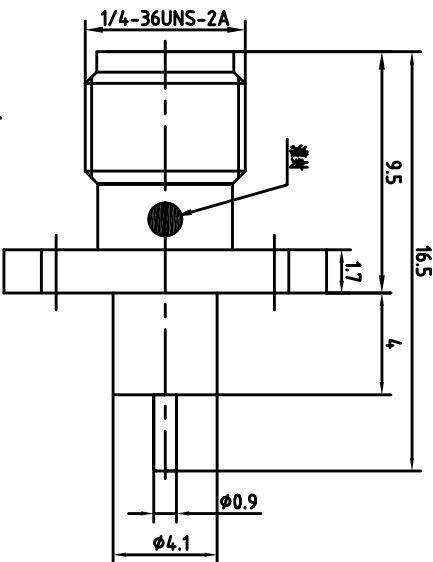


This document contains proprietary information and such information may not be disclosed to others for any purposes, not used for sales/marketing/procurement purposes without written permission

REV	DESCRIPTION OF REVISION	ECN NO.	BY	DATE	APPROVED
A	Initial Release		T.HoJyun	12/7/08	12/7/08



1 Electrical

- 1.1 Impedence 50Ω
- 1.2 Frequency DC~18GHz
- 1.2 Dielectric withstanding voltage 1000V(volts RMS)
- 1.3 Center contact resistance ≤ 3MΩ
- 1.4 Outer contact resistance ≤ 2MΩ
- 1.5 Insulation resistance: ≥5000MΩ

2 Environmental&Mechanical

- 2.1 Temperature range -55℃~155℃
- 2.2 RoHs Compliant
- 2.3 Durability >500 cycles

3 Materials&plating

- 3.1 Body: Brass, Gold plated
- 3.2 Insulator: Teflon
- 3.3 Contact Pin: Beryllium Copper Gold plated

Notes:

- 1.ALL SPECIFICATIONS ARE SUBJECT TO CHANGE NOTICE AT ANY TIME
- 2.CUSTOMER OUTLINE DRAWING FOR REFERENCE ONLY

DRAWN: T.HoJyun 12/07/08	TITLE: SMA-KFD46A	 www.trelytech.com
ENGINEER: C.Too 12/07/08	SMA Female Flange Conn. Terminal	
APPROVED: W.Qiang 12/07/08		
TOLERANCES UNLESS OTHERWISE SPECIFIED		
X ±0.30		
.X ±0.20		
.XX ±0.10		
ANGLES 3°		
PART NO: TRU-SMA1721012A	SIZE: A4	SCALE: 1:1
		SHEET: 1/1
		REV: A