

1

2

3

4

This document contains proprietary information and such information may not be disclosed to others for any purposes, not used for sales/marketing/procurement purposes without written permission

REV	DESCRIPTION OF REVISION	ECN NO.	BY	DATE	APPROVED
A	Initial Release		T. Shihua	12/7/13	12/7/13

1 Electrical

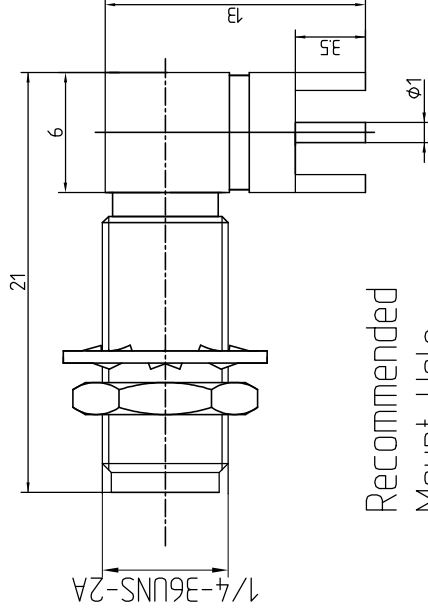
- 1.1 Impedence 50 Ω
- 1.2 Dielectric withstanding voltage 1000V(volts RMS)
- 1.3 Center contact resistance $\leq 3M \Omega$
- 1.4 Outer contact resistance $\leq 2M \Omega$
- 1.5 Insulation resistance: $\geq 5000M \Omega$

2 Environmental&Mechanical

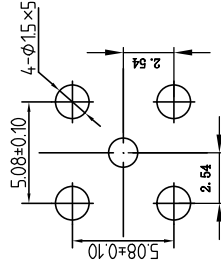
- 2.1 Temperature range -55 $^{\circ}$ ~155 $^{\circ}$
- 2.2 RoHS Compliant
- 2.3 Durability >500 cycles

3 Materials&plating

- 3.1 Body: Brass, Gold plated
- 3.2 Insulator: Teflon
- 3.3 Contact Pin: Bronze Gold plated
- 3.5 Washer: Brass, Gold plated
- 3.6 Hex Nut: Brass, Gold plated



Recommended
Mount Hole



B

B

Notes:

- 1. ALL SPECIFICATIONS ARE SUBJECT TO CHANGE NOTICE AT ANY TIME
- 2. CUSTOMER OUTLINE DRAWING FOR REFERENCE ONLY

DRAWN: T. Shihua 12/07/13

ENGINEER: C. Tuo 12/07/13

APPROVED: H. Qiang 12/07/13

TOLERANCES UNLESS OTHERWISE SPECIFIED

F 50

X 400

XX 4000

ANGLES ±T

TITLE:

RF Coaxial Connector

SMA Female bulkhead Right

Angle Conn. For PCB



www.hrl-f.com



DIMENSION IN MILLIMETERS (mm)

SIZE: A4

SCALE: N/A

SHEET: 1/1

REV: A

PART NO: SMA-KYHD17

1

2

3

4