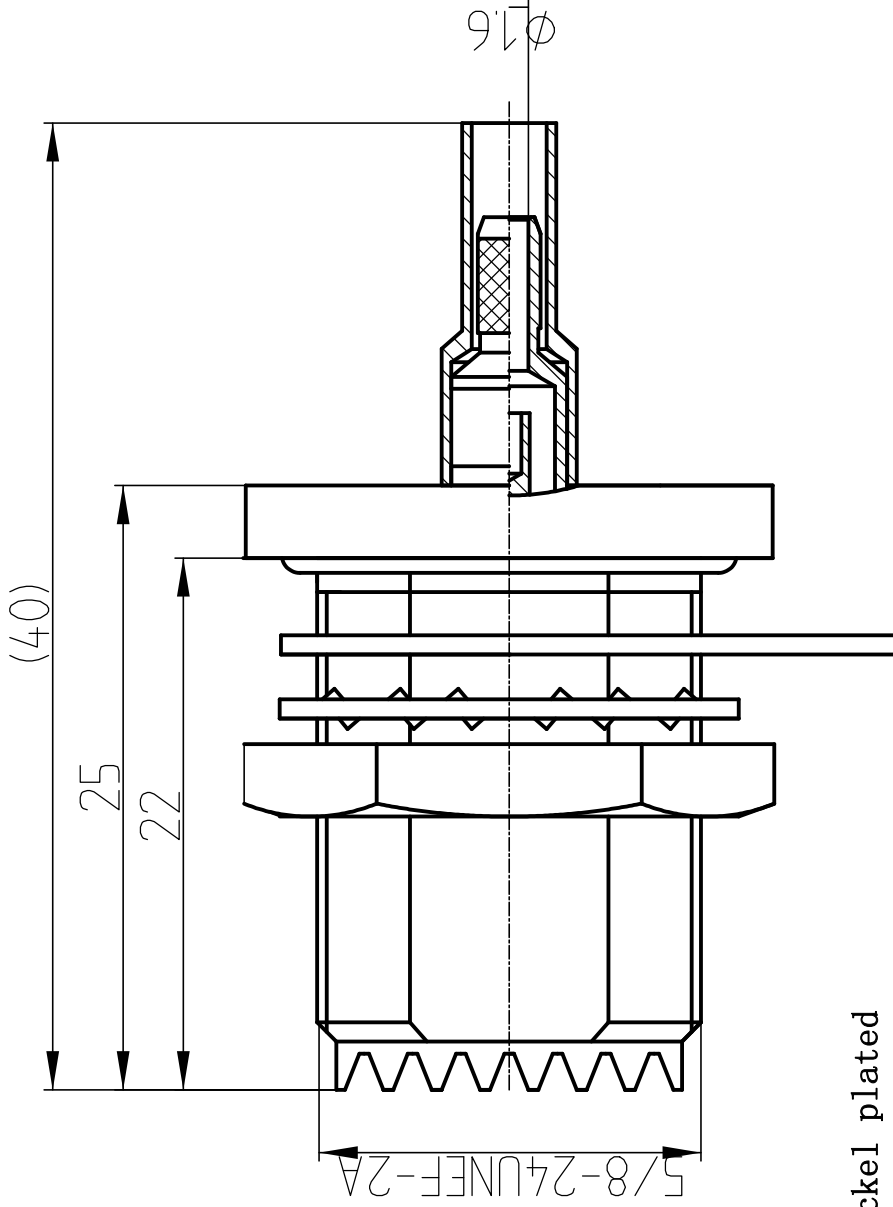


This document contains proprietary information and such information may not be disclosed to others for any purposes, not used for sales/marketing/procurement purposes without written permission



- 3 Materials&Finish**
- 3.1 Body: Brass, Nickel plated
  - 3.2 Insulator: Teflon
  - 3.3 Contact Pin: Brass, Gold plated
  - 3.4 Shell: Brass, Nickel plated
  - 3.5 Gasket: Silicon rubber (red color)

**Notes:**

- 1. ALL SPECIFICATIONS ARE SUBJECT TO CHANGE NOTICE AT ANY TIME
- 2. CUSTOMER OUTLINE DRAWING FOR REFERENCE ONLY

REV	DESCRIPTION OF REVISION	ECN NO.	BY	DATE	APPROVED
A	Initial Release		T. Shihua	18/03/15	18/03/15

DRAWN: T. Shihua 18/03/15		TITLE: RF Coaxial Connector	
ENGINEER: C. Tao 18/03/15		www.terujiai.com	
APPROVED: W. Qiang 18/03/15		DIMENSION IN MILLIMETERS (mm)	
TOLERANCES UNLESS OTHERWISE SPECIFIED		SCALE: N/A	
X	+0.50	SHEET: 1/1	
XX	+0.20	REV: A	
ANGLES	*°	PART NO: UHF-KY3CY	