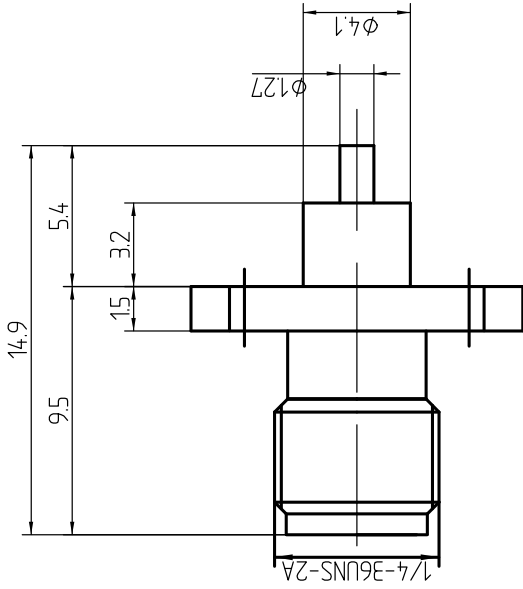


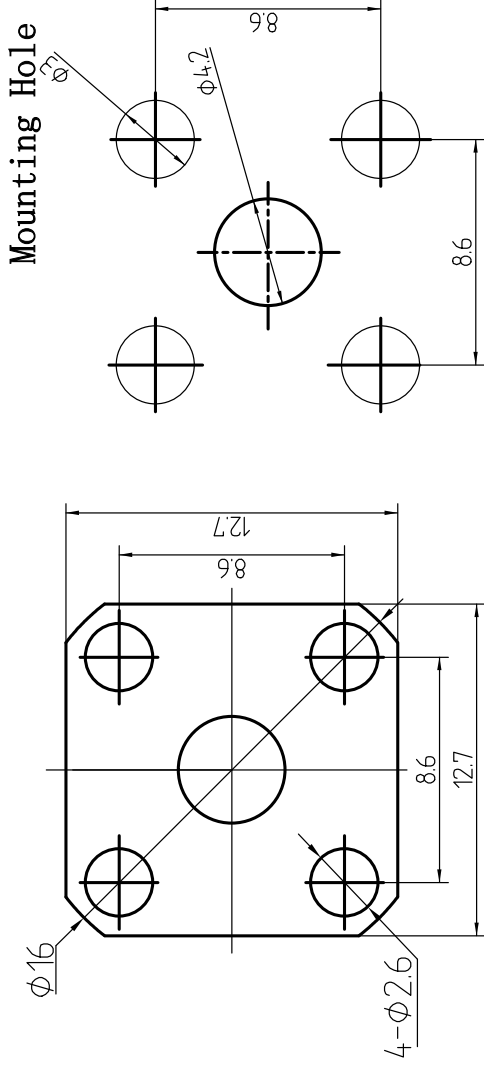
This document contains proprietary information and such information may not be disclosed to others for any purposes, not used for sales/marketing/procurement purposes without written permission



- 1 Electrical  
 1.1 Impedance 50 Ω  
 1.2 Frequency DC ~ 18GHz  
 1.3 VSWR 1.2 : 1

- 2 Environmental & Mechanical  
 2.1 Temperature range -45 °C ~ 85 °C  
 2.2 RoHS Compliant  
 2.3 Durability > 500 cycles

- 3 Materials & Plating  
 3.1 Body: Brass, Gold plated  
 3.2 Insulator: Teflon  
 3.3 Contact Pin: Bronze, Gold plated



Mounting Hole

REV	DESCRIPTION OF REVISION	ECN NO.	BY	DATE	APPROVED
A	Initial Release		T. Haiyum	15/09/17	15/09/17

Notes:

1. ALL SPECIFICATIONS ARE SUBJECT TO CHANGE NOTICE AT ANY TIME  
 2. CUSTOMER OUTLINE DRAWING FOR REFERENCE ONLY

DRAWN : T. Haiyum 15/09/17

ENGINEER: C. Tao 15/09/17

APPROVED : W. Qi tang 12/07/08

TOLEANCES UNLESS OTHERWISE SPECIFIED  
 X ±0.50  
 .X ±0.20  
 .XX ±0.10  
 ANGLES ±°

TITLE:

RF Coaxial Connector

SMA Female Flange Conn. Terminal

PART NO: SMA-RFD1049



www.crl-f.com



DIMENSION IN MILLIMETERS (mm)

SIZE: A4

SCALE: N/A

SHEET: 1/1

REV: A