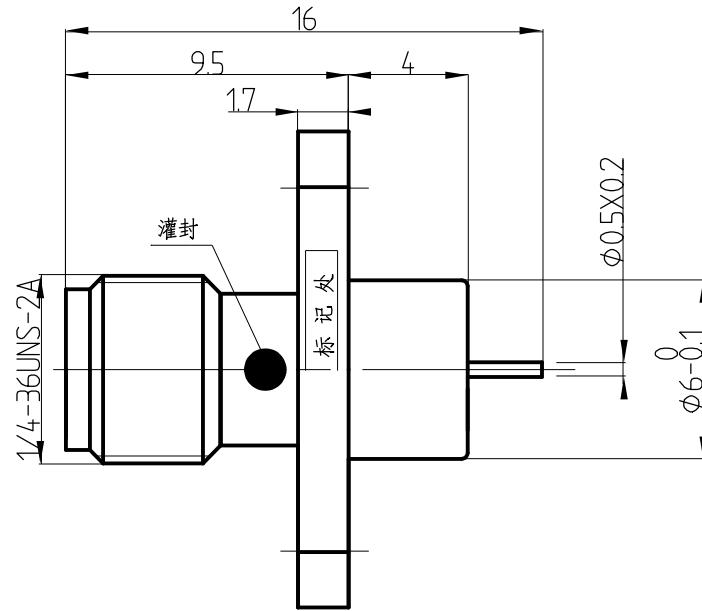
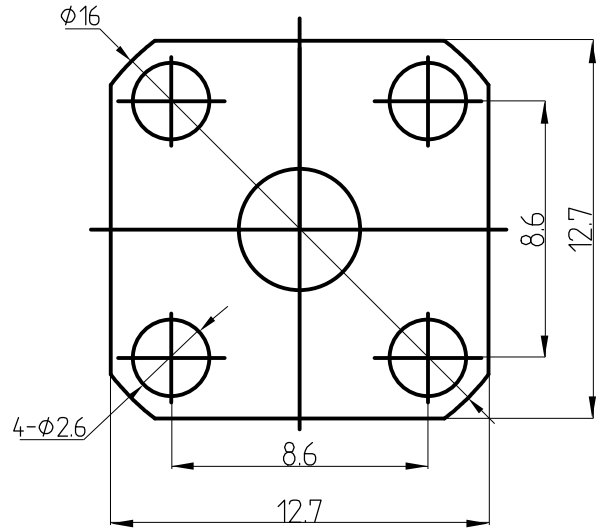


This document contains proprietary information and such information may not be disclosed to others for any purposes, not used for sales/marketing/procurement purposes without written permission

REV	DESCRIPTION OF REVISION	ECN NO.	BY	DATE	APPROVED
A	Initial Release	—	T.Haiyun	07/04/16	07/04/16



1 电气性能



- 1.1 特性阻抗 50 Ω
- 1.2 频率 DC~18GHz
- 1.3 介质耐压 1000V
- 1.4 中心导体电阻 $\leq 3\text{M}\Omega$
- 1.5 外导体电阻 $\leq 2\text{M}\Omega$
- 1.6 绝缘电阻 $\geq 5000\text{M}\Omega$
- 1.7 VSWR ≤ 1.25

2 材料及涂覆

- 2.1 外壳: 黄铜; 镀金
- 2.2 绝缘子: teflon
- 2.3 内导体: 镀青铜; 镀金

Notes:

- 1. ALL SPECIFICATIONS ARE SUBJECT TO CHANGE NOTICE AT ANY TIME
- 2. CUSTOMER OUTLINE DRAWING FOR REFERENCE ONLY

DRAWN: T.Haiyun 07/04/16	TITLE:	 www.tri-rf.com		
ENGINEER: C.Tao 07/04/16	RF Coaxial Connector			
APPROVED: W.Qiang 07/04/16	SMA Female Flange Connector Mount	 DIMENSION IN MILLIMETERS (mm)		
TOLERANCES UNLESS OTHERWISE SPECIFIED	PART NO: SMA-KFD12	SIZE: A4	SCALE: N/A	SHEET: 1/1
X ±0.50 X ±0.20 XX ±0.10 ANGLES ±°				REV: A