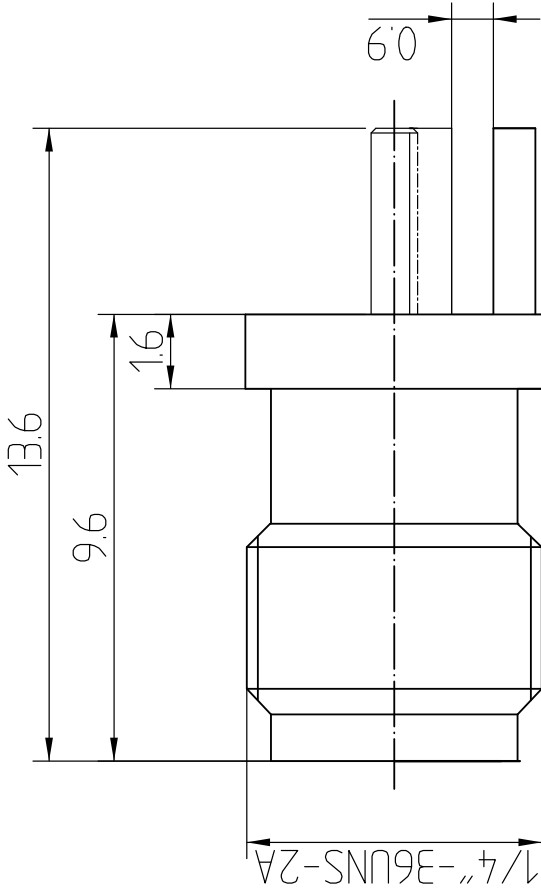


This document contains proprietary information and such information may not be disclosed to others for any purposes, not used for sales/marketing/procurement purposes without written permission



1 Electrical

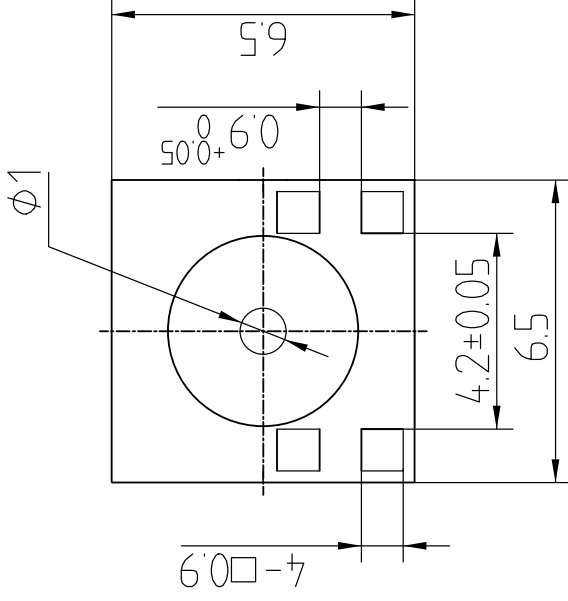
- 1.1 Impedance 50 Ω
- 1.2 Frequency DC ~6GHz
- 1.3 VSWR 1.20:1

2 Environmental&Mechanical

- 2.1 Temperature range -40 $^{\circ}$ C ~+70 $^{\circ}$ C
- 2.2 RoHS Compliant
- 2.3 Durability >500 cycles

3 Materials&plating

- 3.1 Body: Brass, Gold Plated
- 3.2 Insulator: Teflon,
- 3.3 Contact Pin: Beryllium-copper, Gold plated



REV	DESCRIPTION OF REVISION	ECN NO.	BY	DATE	APPROVED
A	Initial Release		T. Shihua	1/9/15	1/9/15

Notes:

- 1. ALL SPECIFICATIONS ARE SUBJECT TO CHANGE NOTICE AT ANY TIME
- 2. CUSTOMER OUTLINE DRAWING FOR REFERENCE ONLY

DRAWN : T. Shihua 1/9/15

ENGINEER: C. Tao 1/9/15

APPROVED : W. Qiang 1/9/15

TOLERANCES UNLESS OTHERWISE SPECIFIED
 X ±0.50
 .X ±0.20
 .XX ±0.10
 ANGLES °

TITLE:

RF Coaxial Connector

SMA Female Conn. PCB Mount

PART NO: SMA-RBDC09



www.terulilai.com



DIMENSION IN MILLIMETERS (mm)

SIZE: A4 SCALE: N/A SHEET: 1/1 REV: A