

4

3

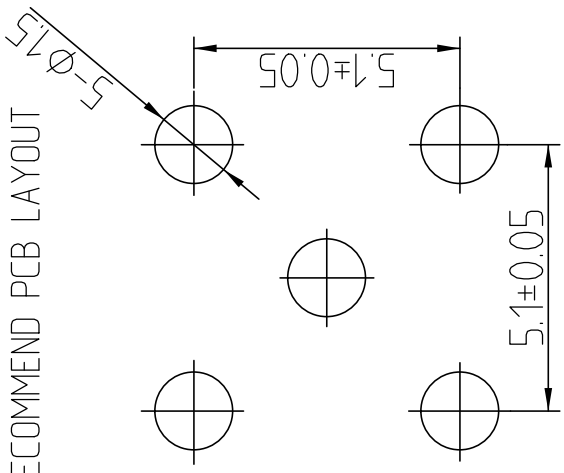
2

1

REVISION

REV	DESCRIPTION	DATE

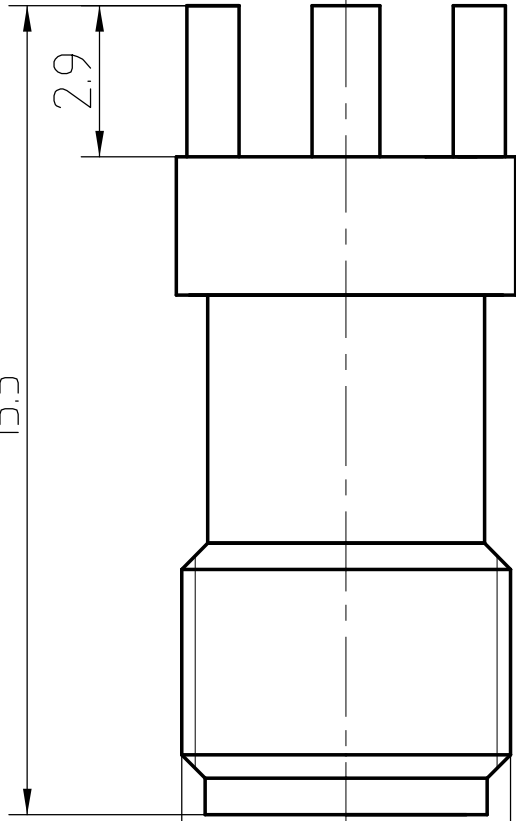
RECOMMEND PCB LAYOUT



15.5

2.9

1/4-36UNS-2A



1. Electrical Data

- 1.1 Impedance: 50 Ω
- 1.2 Working voltage: 335V(rms)
- 1.3 Frequency Range: 0-18GHz
- 1.4 Insulation resistance: 5000MΩ min
- 1.5 Dielectric strength: 1000V
- 1.6 Center contact resistance: 3MΩ max
- 1.7 Outer contact resistance: 25MΩ max
- 1.8 VSWR: 1.3:1

2. Material & Finish

- 2.1 Inner Contact: gold plated over Beryllium-copper.
- 2.2 Outer Contact: gold plated over brass.
- 2.3 Insulators: Teflon

RoHS Compliance

NO.	DESCRIPTION	Q'TY	MATERIAL	PLATING	REMARKS
3	INSULATOR	1	TEFLON		
2	CONTACT	1	BRASS	Gold Plate	
1	BODY	1	BRASS	Gold Plate	



CLEC GROUP

TITLE

SMA-KHD14

DATE Jun 23, 10

APPROVED BY Xia Li

CHECKED BY Super-Fay

DRAWN BY Fei Wang

CUSTOMER

CUSTOMER CODE

A4

DWG NO.

SHEET

3

2

1

4