

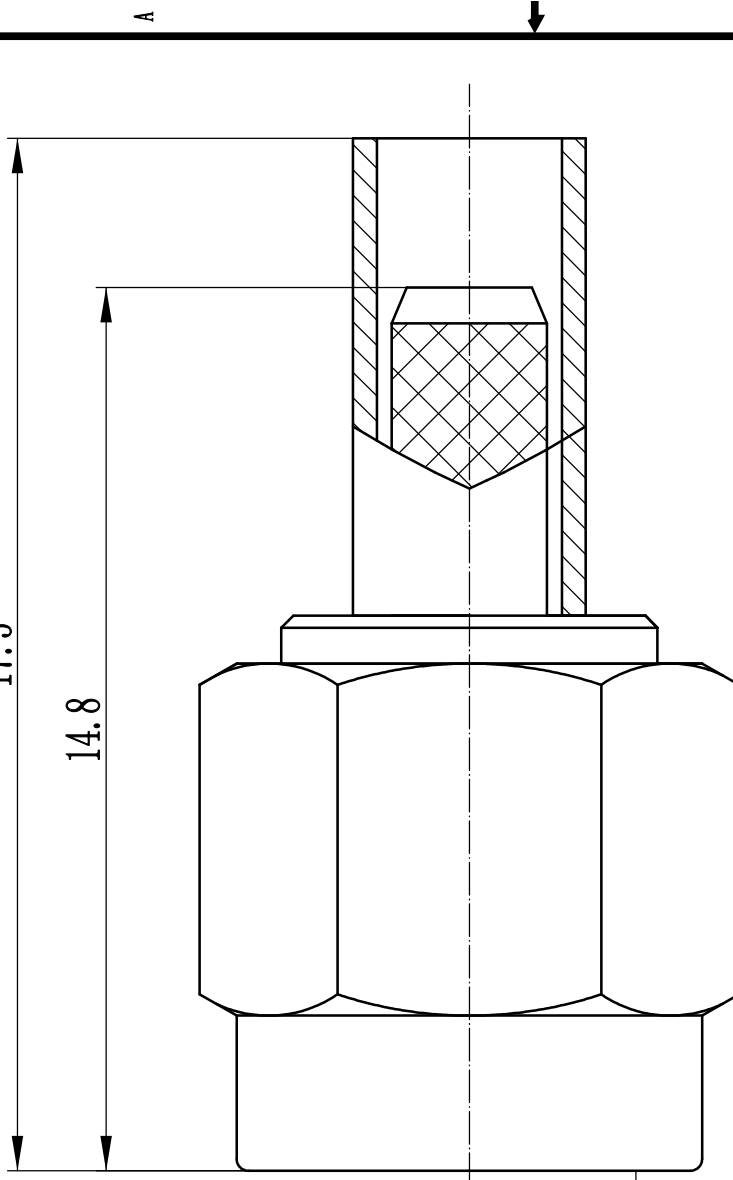
This document contains proprietary information and such information may not be disclosed to others for any purposes, not used for sales/marketing/procurement purposes without written permission

- 1 Electrical
 - 1.1 Impedence: 50 Ω
 - 1.2 Frequency: DC ~6GHz
 - 1.3 Dielectric withstanding voltage: 1000V(watts RMS)
 - 1.4 Center contact resistance: $\leq 3M\Omega$
 - 1.5 Outer contact resistance: $\leq 2M\Omega$
 - 1.6 Insulation resistance: $\geq 5000M\Omega$
- 2 Environmental&Mechanical
 - 2.1 Temperature range: $-40^{\circ}\text{C} \sim +70^{\circ}\text{C}$
 - 2.2 RoHS Compliant
 - 2.3 Durability: >500 cycles
- 3 Materials&plating
 - 3.1 Body: Brass; Gold plated
 - 3.2 Insulator: Teflon
 - 3.3 Contact Pin: Brass, Gold plated
 - 3.4 Nut: Stainless Steel, Passivated
 - 3.5 Gasket: Silicon Rubber (red color)
 - 3.6 Ferrule: Copper, Nickel plated

17.3

14.8

1/4"-36UNS-2B





Notes:

1. ALL SPECIFICATIONS ARE SUBJECT TO CHANGE NOTICE AT ANY TIME
2. CUSTOMER OUTLINE DRAWING FOR REFERENCE ONLY

REV	DESCRIPTION OF REVISION	ECN NO.	BY	DATE	APPROVED
A	Initial Release		T. Haiyum	23/5/07	23/5/07

DRAWN: T. Haiyum 23/5/07	TITLE: RF Coaxial Connector
ENGINEER: C. Tao 23/5/07	RF Coaxial Connector
APPROVED: W. Qiang 23/5/07	SMA Male Str. Conn. for RG174/RG316/LMR100 Cable
TOLERANCES UNLESS OTHERWISE SPECIFIED	
X +0.50	
.X +0.20	
.XX +0.10	
ANGLES *°	

		www.teruilai.com	
		DIMENSION IN MILLIMETERS (mm)	
SIZE: A4	SCALE: N/A	SHEET: 1/1	REV: A
PART NO: SMA-J3FG			