

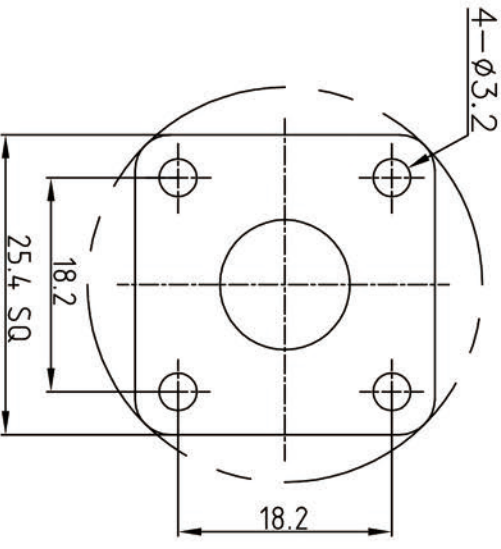
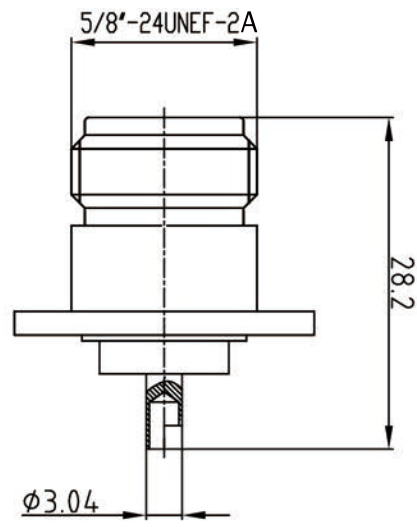
This document contains proprietary information and such information may not be disclosed to others for any purposes, not used for sales/marketing/procurement purposes without written permission

REV	DESCRIPTION OF REVISION	TRL NO.	BY	DATE	APPROVED
A	Initial Release		T.Shihua	18/7/08	18/7/08

- 1 Electrical**
- 1.1 Impedance: 50Ω
 - 1.2 Dielectric withstanding voltage: 1500V(volts RMS)
 - 1.3 Center contact resistance: ≤ 1MΩ
 - 1.4 Outer contact resistance: ≤ 0.2MΩ
 - 1.5 Insulation resistance: ≥ 5000MΩ


- 2 Environmental&Mechanical**
- 2.1 Temperature range: -40℃~+70℃
 - 2.2 RoHS Compliant
 - 2.3 Durability: >500 cycles

- 3 Materials&plating**
- 3.1 Body: Brass, Nickel plated
 - 3.2 Insulator: Teflon
 - 3.3 Contact Pin: Brass, Gold plated



Notes:

- 1. ALL SPECIFICATIONS ARE SUBJECT TO CHANGE NOTICE AT ANY TIME
- 2. CUSTOMER OUTLINE DRAWING FOR REFERENCE ONLY

DRAWN: T.Shihua 18/7/08	TITLE: N-50KF	 DIMENSION IN MILLIMETERS (mm)
ENGINEER: C.Too 18/7/08	N Female Flange Conn. For Terminal	
APPROVED: W.Qiang 18/7/08	PART NO: TRL-NF-173899	SIZE: A4 SCALE: N/A SHEET: 1/1 REV: A
TOLERANCES UNLESS OTHERWISE SPECIFIED X ±0.20 XX ±0.10 ANGLES 30°		www.t-rely.com.cn