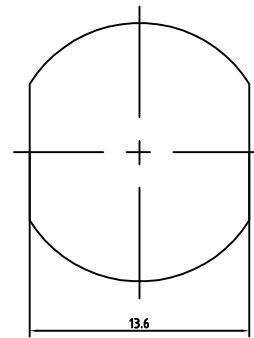
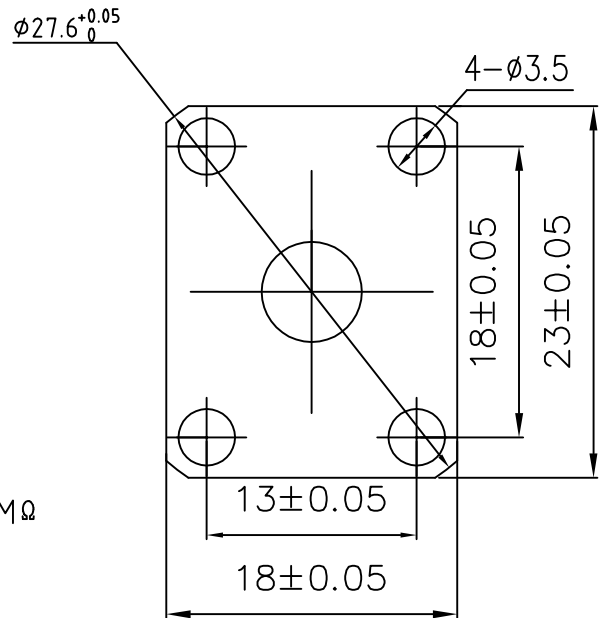


Mounting Hole



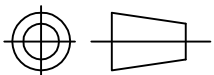
## 1 Electrical

- 1.1 Impedance: 50Ω
- 1.2 Frequency: 0-11GHz
- 1.3 Insulation resistance:  $\geq 5000M\Omega$
- 1.4 Dielectric strength: 1500V
- 1.5 Contact resistance
  - Center contact  $\leq 1M\Omega$
  - Outer contact  $\leq 0.2M\Omega$



## 2 Materials&Finish

- 2.1 Inner Contact: Phosphor Bronze, gold plated
- 2.2 Outer Contact: Brass, Nickel plated
- 2.3 Insulators: PTFE



Scale

1:1

N-KYFD101

N female B/H Flange Conn

UNLESS OTHERWISE SPECIFIED  
DIMENSIONS ARE mm, TOLERANCES ARE:  
FRACTIONS DECIMALS ANGLES

.X± .15 ±1°  
.XX± .05  
.XXX±

No	Name	Date
1	Designed Tomson Tang	10-Oct-12
2	Checked Jason Du	10-Oct-12
3	Approved Teresa	10-Oct-12

Xi'an T-RELY ELECTRONICS CO., LTD.