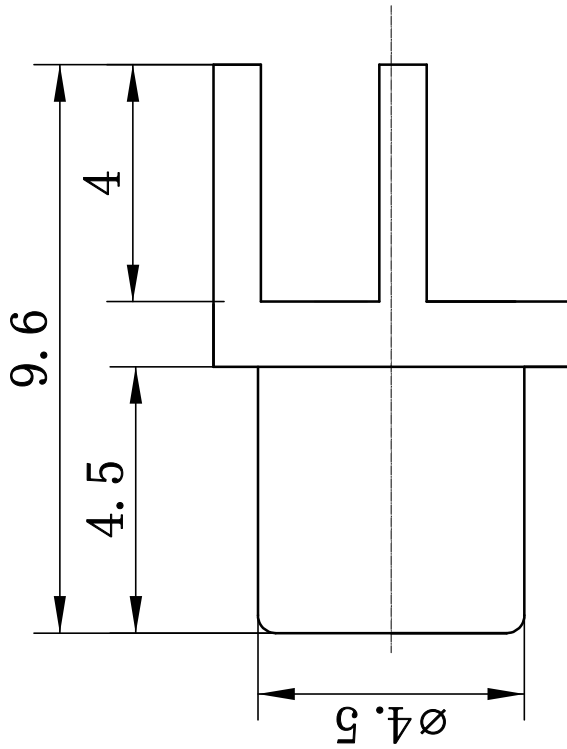


This document contains proprietary information and such information may not be disclosed to others for any purposes, not used for sales/marketing/procurement purposes without written permission



**1 Electrical Data**

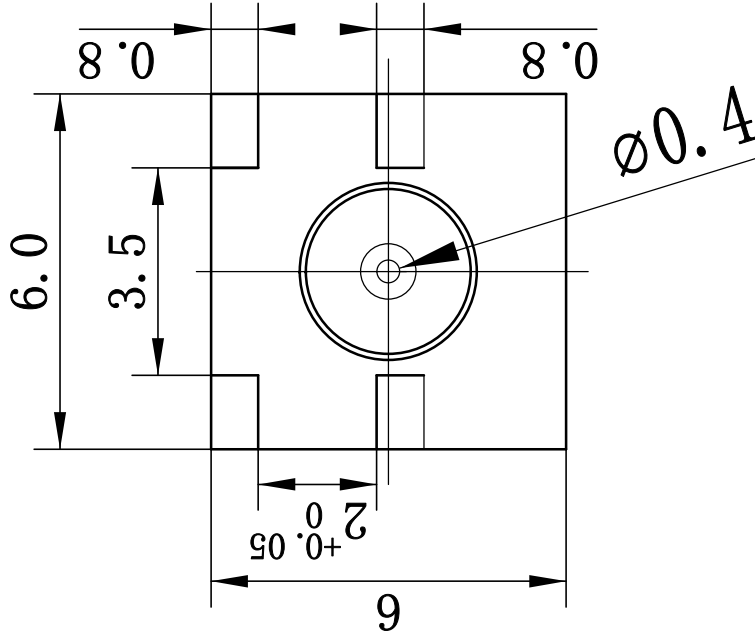
- 1.1 Impedance:  $50\ \Omega$
- 1.2 Frequency: DC-6GHz
- 1.3. VSWR: 1.30:1

**2 Material&Finish**

- 2.1 Inner Contact: Beryllium-copper, gold plated
- 2.2 Outer Contact: brass, gold plated
- 2.3 Insulators: Teflon

**Notes:**

- 1. ALL SPECIFICATIONS ARE SUBJECT TO CHANGE NOTICE AT ANY TIME
- 2. CUSTOMER OUTLINE DRAWING FOR REFERENCE ONLY



REV	DESCRIPTION OF REVISION	BY	DATE	APPROVED
A	Initial Release	T.Haiym	15/09/17	15/09/17

DRAWN: T.Haiym 15/09/17		TITLE: RF Coaxial Connector	
ENGINEER: C.Tao 15/09/17		MXX Female Conn. PCB	
APPROVED: H.Qiang 12/07/08		PART NO: MCX-KHD4-2	
TOLERANCES UNLESS OTHERWISE SPECIFIED		SCALE: N/A	
X	$\pm 0.50$	SHEET: 1/1	
.X	$\pm 0.20$	REV: A	
.XX	$\pm 0.10$	DIMENSION IN MILLIMETERS (mm)	
ANGLES	$\pm 1^\circ$	SIZE: A4	

