

This document contains proprietary information and such information may not be disclosed to others for any purposes, not used for sales/marketing/procurement purposes without written permission

REV	DESCRIPTION OF REVISION	ECN NO.	BY	DATE	APPROVED
A	Initial Release	—	T.Haiyun	15/08/17	15/08/17

1 Electrical

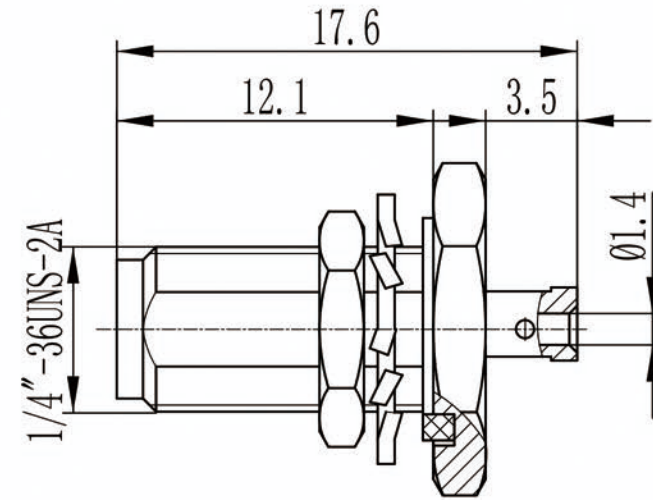
1.1 Impedence	50 Ω
1.2 Frequency	0~6GHz
1.2 Dielectric withstanding voltage	1000V(volts RMS)
1.3 Center contact resistance	≤ 3M Ω
1.4 Outer contact resistance	≤ 2M Ω
1.5 Insulation resistance:	≥ 5000M Ω

2 Environmental&Mechanical

2.1 Temperature range	-45℃~85℃
2.2 RoHs Compliant	
2.3 Durability	>500 cycles



3 Materials&plating

3.1 Body:	Brass; Gold, plated
3.2 Insulator:	Teflon
3.3 Contact Pin:	Brass; Gold,plated
3.4 O-ring:	Silicon rubber(red color)



Notes:

1. ALL SPECIFICATIONS ARE SUBJECT TO CHANGE NOTICE AT ANY TIME
2. CUSTOMER OUTLINE DRAWING FOR REFERENCE ONLY

DRAWN : T.Haiyun 15/08/17 ENGINEER: C.Tao 15/08/17 APPROVED : W.Qiang 15/08/17 TOLERANCES UNLESS OTHERWISE SPECIFIED X ±0.50 .X ±0.20 .XX ±0.10 ANGLES ±1°	TITLE: RF Coaxial Connector SMA Female B/H Conn. for 1.37mm Cable	 www.teruilai.com  DIMENSION IN MILLIMETERS (mm)
PART NO: SMA-KY1.32	SIZE: A4 SCALE: N/A SHEET: 1/1 REV: A	