

This document contains proprietary information and such information may not be disclosed to others for any purposes, not used for sales/marketing/procurement purposes without written permission

1 Electrical

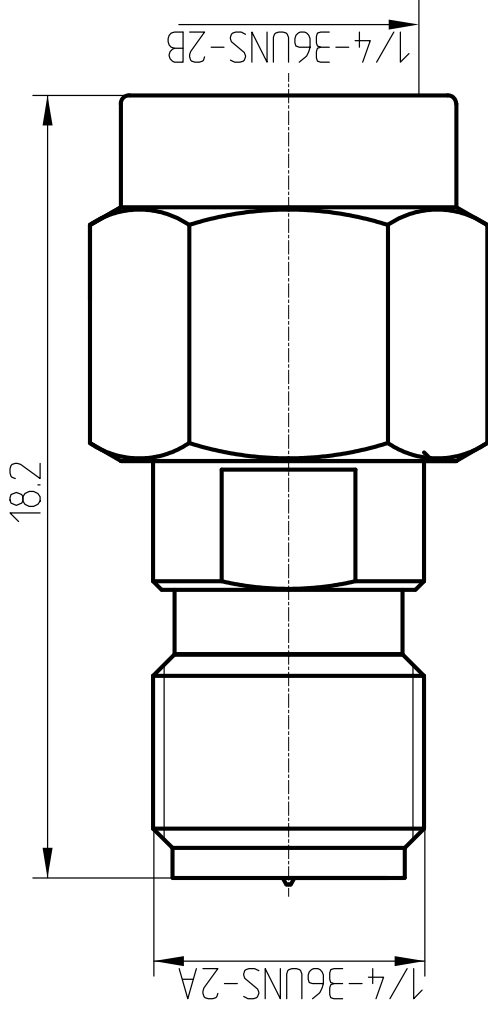
- 1.1 Impedence 50 Ω
- 1.2 Frequency DC ~6GHz
- 1.3 VSWR 1.2:1

2 Environmental & Mechanical

- 2.1 Temperature range -40℃ ~ +85℃
- 2.2 RoHS Compliant
- 2.3 Durability >500 cycles

3 Materials & Plating

- 3.1 Body: Brass, Gold Plated
- 3.2 Insulator: Teflon,
- 3.3 Contact Pin: Brass, Gold plated
- 3.4 Nut: Brass, Gold Plated
- 3.5 Gasket: Silicon Rubber ( red color)



REV	DESCRIPTION OF REVISION	ECN NO.	BY	DATE	APPROVED
A	Initial Release		T. Haiyuu	12/12/16	12/12/16

Notes:

- 1. ALL SPECIFICATIONS ARE SUBJECT TO CHANGE NOTICE AT ANY TIME
- 2. CUSTOMER OUTLINE DRAWING FOR REFERENCE ONLY

DRAWN : T. Haiyuu 12/12/16

ENGINEER: C. Tao 12/12/16

APPROVED : W. Qiang 12/12/16

TOLERANCES UNLESS OTHERWISE SPECIFIED  
 X ±0.50  
 .X ±0.20  
 .XX ±0.10  
 ANGLES °

TITLE:

RF Adaptor  
 SMA Male Conn. to RFSMA Female adaptor



www.rf-connector-china.com



DIMENSION IN MILLIMETERS (mm)

PART NO: RPSMA/SMA-JJ

SIZE: A4

SCALE: N/A

SHEET: 1/1

REV: A