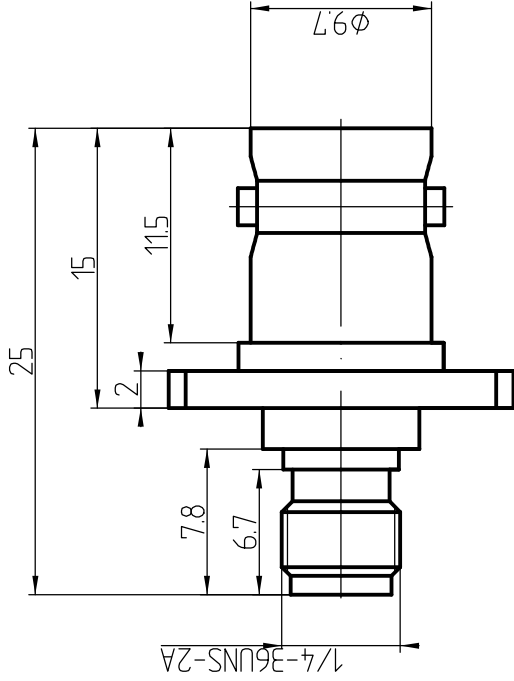


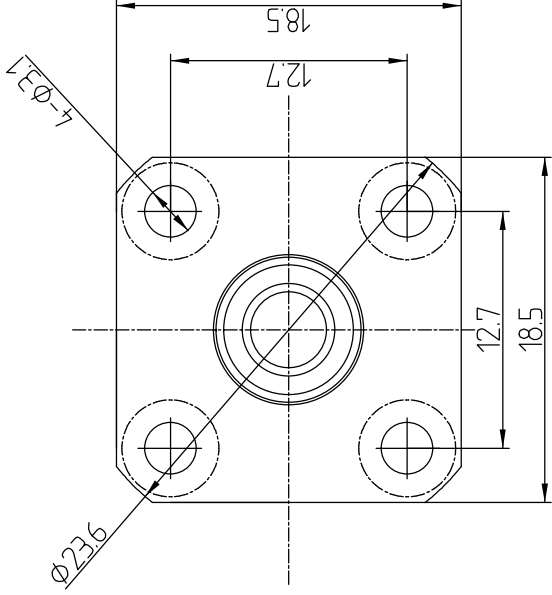
This document contains proprietary information and such information may not be disclosed to others for any purposes, not used for sales/marketing/procurement purposes without written permission



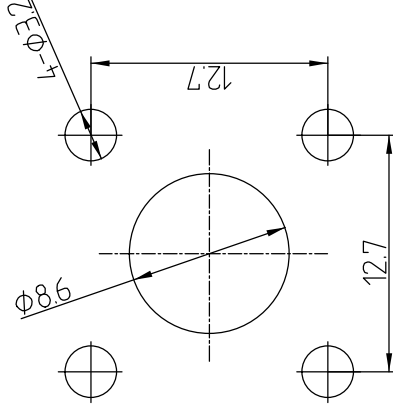
- 1 Electrical
  - 1.1 Impedence 50 Ω
  - 1.2 Frequency DC-4GHz
  - 1.3 Dielectric withstanding voltage 100V(volts RMS)
  - 1.4 Center contact resistance ≤ 3MΩ
  - 1.5 Outer contact resistance ≤ 2MΩ
  - 1.6 Insulation resistance: ≥5000MΩ
- 2 Environmental&Mechanical
  - 2.1 Temperature range -45°~85°c
  - 2.2 RoHS Compliant
  - 2.3 Durability >500 cycles
- 3 Materials&plating
  - 3.1 Body: Brass, Nickel plated
  - 3.2 Insulator: Teflon
  - 3.3 Contact Pin: Phosphor Bronze, Gold plated

**Notes:**

1. ALL SPECIFICATIONS ARE SUBJECT TO CHANGE NOTICE AT ANY TIME
2. CUSTOMER OUTLINE DRAWING FOR REFERENCE ONLY



**Recommended Mounting Hole**



DRAWN: T. Shihua 09/07/15
ENGINEER: C. Tao 09/07/15
APPROVED: W. Qiang 09/07/15
TOLERANCES UNLESS OTHERWISE SPECIFIED
X +0.50
.X +0.20
.XX +0.10
ANGLES ±1°

TITLE:	
RF Adaptor	
BNC Female to SMA Female Flange Adaptor	
PART NO:	BNC/SMA-KFKA

www.trf.com	
	DIMENSION IN MILLIMETERS (mm)
SIZE: A4	SCALE: N/A
SHEET: 1/1	REV: A

REV	DESCRIPTION OF REVISION	ECN NO.	BY	DATE	APPROVED
A	Initial Release		T. Shihua	09/07/15	09/07/15