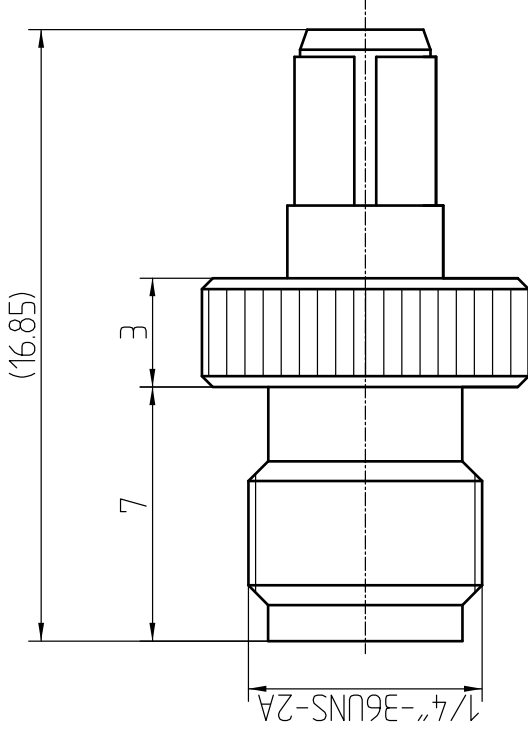


This document contains proprietary information and such information may not be disclosed to others for any purposes, not used for sales/marketing/procurement purposes without written permission

- 1 Electrical
 - 1.1 Impedance: 50 Ω
 - 1.2 Frequency: DC-3GHz
 - 1.3 VSWR: 1.25:1
- 2 Mechanical & Environmental
 - 2.1 Temperature range -45°C ~ +125°C
 - 2.2 Durability (matings) >500
 - 2.3 RoHS Compliant Yes
- 3 Material & Finish
 - 3.1 Pin contact: Beryllium-Copper, gold plated
 - 3.2 Body: Brass, gold plated
 - 3.3 Insulators: Teflon



REV	DESCRIPTION OF REVISION	ECN NO.	BY	DATE	APPROVED
A	Initial Release		T. Shihua	1/8/14	1/8/14

Notes:

- 1. ALL SPECIFICATIONS ARE SUBJECT TO CHANGE NOTICE AT ANY TIME
- 2. CUSTOMER OUTLINE DRAWING FOR REFERENCE ONLY

DRAWN : T. Shihua 1/8/14	TITLE:
ENGINEER: C. Tao 1/8/14	RF Adapter
APPROVED : W. Qiang 1/8/14	SMA Female to TS9 Male
TOLERANCES UNLESS OTHERWISE SPECIFIED	PART NO: SMA/TS9-KJ
X ±0.50	SCALE: N/A
.X ±0.20	SIZE: A4
.XX ±0.10	SHEET: 1/1
ANGLES ±°	REV: A



www.carl.com.cn



DIMENSION IN MILLIMETERS (mm)

SIZE: A4
SCALE: N/A
SHEET: 1/1
REV: A