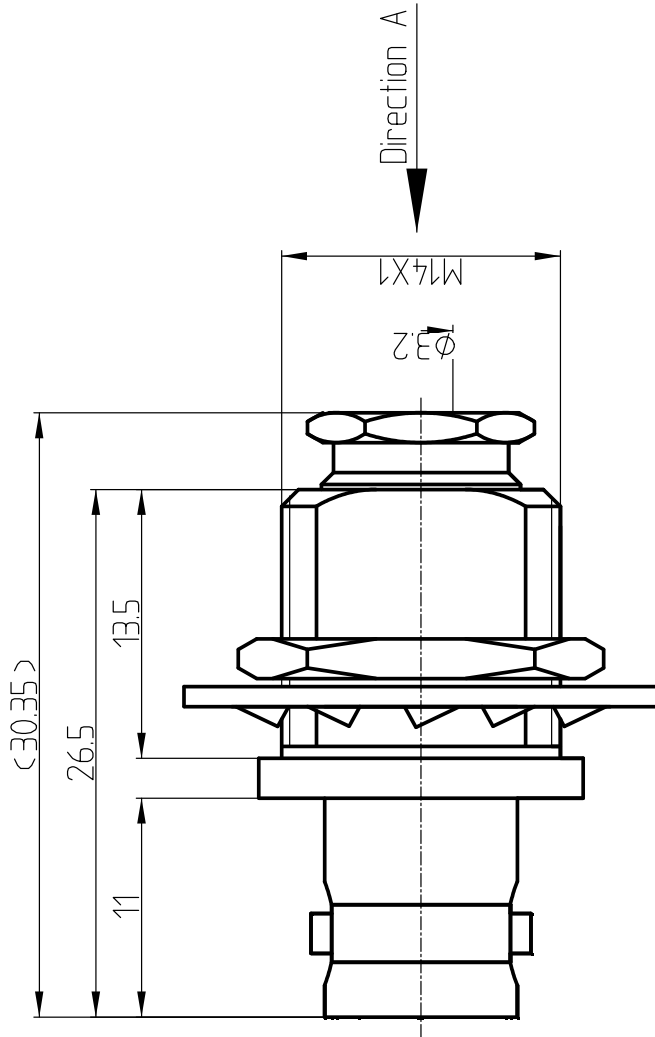
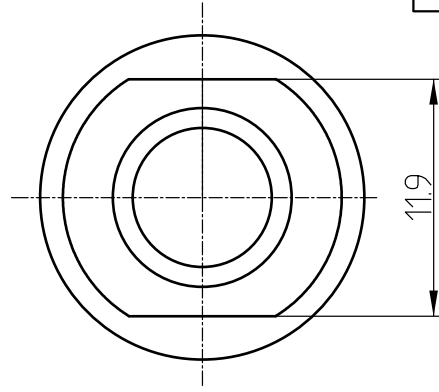


This document contains proprietary information and such information may not be disclosed to others for any purposes, not used for sales/marketing/procurement purposes without written permission



A-A



- 1 Electrical
- 1.1 Impedance 50 Ω
 - 1.2 Frequency DC ~3GHz
 - 1.3 Dielectric withstanding voltage 1500V(watts RMS)
 - 1.4 Center contact resistance $\leq 15M\Omega$
 - 1.5 Outer contact resistance $\leq 0.2M\Omega$
 - 1.6 Insulation resistance: $\geq 5000M\Omega$

- 2 Environmental&Mechanical
- 2.1 Temperature range -45 °C ~ +125 °C
 - 2.2 Rohs Compliant
 - 2.3 Durability >500 cycles

- 3 Materials&plating

- 3.1 Body: Brass; Nickel plated
- 3.2 Insulator: Teflon
- 3.3 Contact Pin: Bronze Gold plated
- 3.4 Nut: Brass, Nickel plated
- 3.5 Washer: Brass, Nickel plated

REV	DESCRIPTION OF REVISION	ECN NO.	BY	DATE	APPROVED
A	Initial Release		T.Haiyun	21/05/08	21/05/08

Notes:

1. ALL SPECIFICATIONS ARE SUBJECT TO CHANGE NOTICE AT ANY TIME
2. CUSTOMER OUTLINE DRAWING FOR REFERENCE ONLY

DRAWN : T.Haiyun 21/05/08

ENGINEER : C.Tao 21/05/08

APPROVED : W.Qiang 21/05/08

TOLERANCES UNLESS OTHERWISE SPECIFIED
 X ±0.50
 .X ±0.20
 .XX ±0.10
 ANGLES °P

TITLE:

RF Coaxial Connector

BNC Female B7H Conn. for R6316 Cable

PART NO.: BNC-KY3A



www.tenlun.com



DIMENSION IN MILLIMETERS (mm)

SIZE: A4

SCALE: N/A

SHEET: 1/1

REV: A