

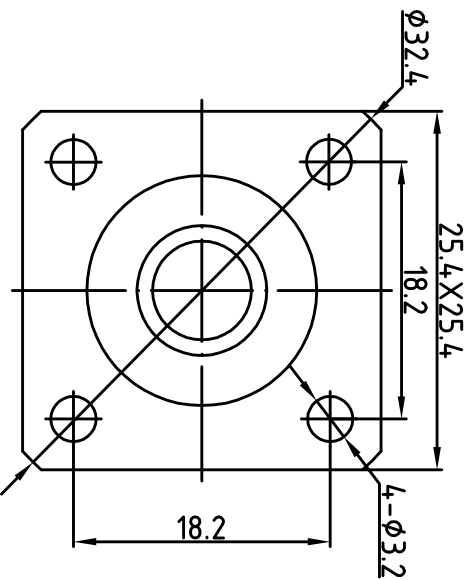
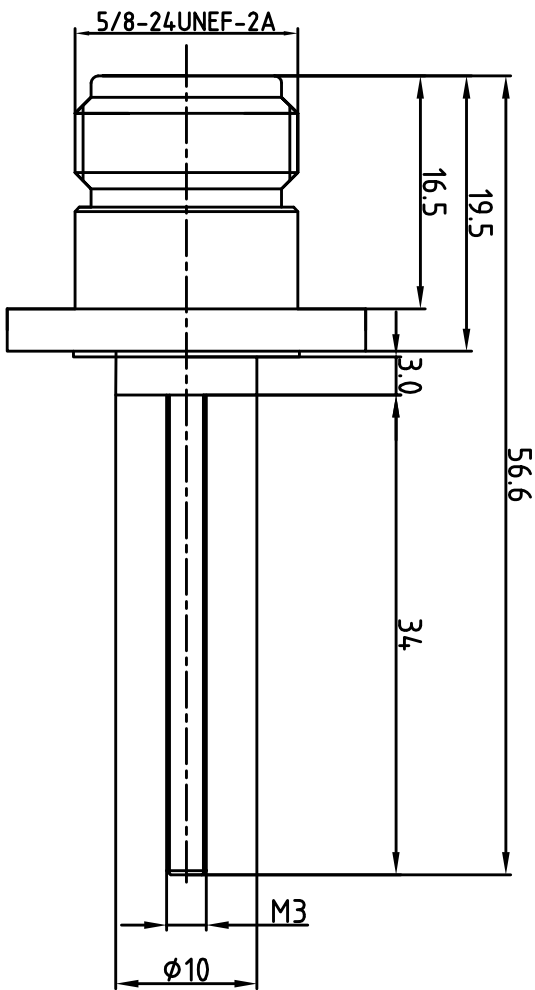
This document contains proprietary information and such information may not be disclosed to others for any purposes, not used for sales/marketing/procurement purposes without written permission

REV	DESCRIPTION OF REVISION	ECN NO.	BY	DATE	APPROVED
A	Initial Release		T.Shihua	18/7/13	18/7/13

- 1 Electrical**
- 1.1 Impedance: 50 Ω
 - 1.2 Frequency: 0~11GHz
 - 1.3 Dielectric withstanding voltage: 1500V(volts RMS)
 - 1.4 Center contact resistance: $\leq 1M\Omega$
 - 1.5 Outer contact resistance: $\leq 0.2M\Omega$
 - 1.6 Insulation resistance: $\geq 5000M\Omega$


- 2 Environmental&Mechanical**
- 2.1 Temperature range: -55 $^{\circ}$ C~155 $^{\circ}$ C
 - 2.2 RoHS Compliant
 - 2.3 Durability: >500 cycles

- 3 Materials&plating**
- 3.1 Body: Brass, nickel plated
 - 3.2 Insulator: Teflon
 - 3.3 Contact Pin: Bronze, Gold plated



Notes:

- 1. ALL SPECIFICATIONS ARE SUBJECT TO CHANGE NOTICE AT ANY TIME
- 2. CUSTOMER OUTLINE DRAWING FOR REFERENCE ONLY

DRAWN: T.Shihua 18/07/13	TITLE: RF Coaxial Connector	 www.hht-f.com
ENGINEER: C.Too 18/07/13		
APPROVED: W.Qiang 18/07/13	N female Flange Conn. Terminal	DIMENSION IN MILLIMETERS (mm)
TOLERANCES UNLESS OTHERWISE SPECIFIED		
X 0.10		SIZE: A4
.XX 0.20		SCALE: N/A
ANGLES 3 $^{\circ}$		SHEET: 1/1
	PART NO: N-KFD118	REV: A