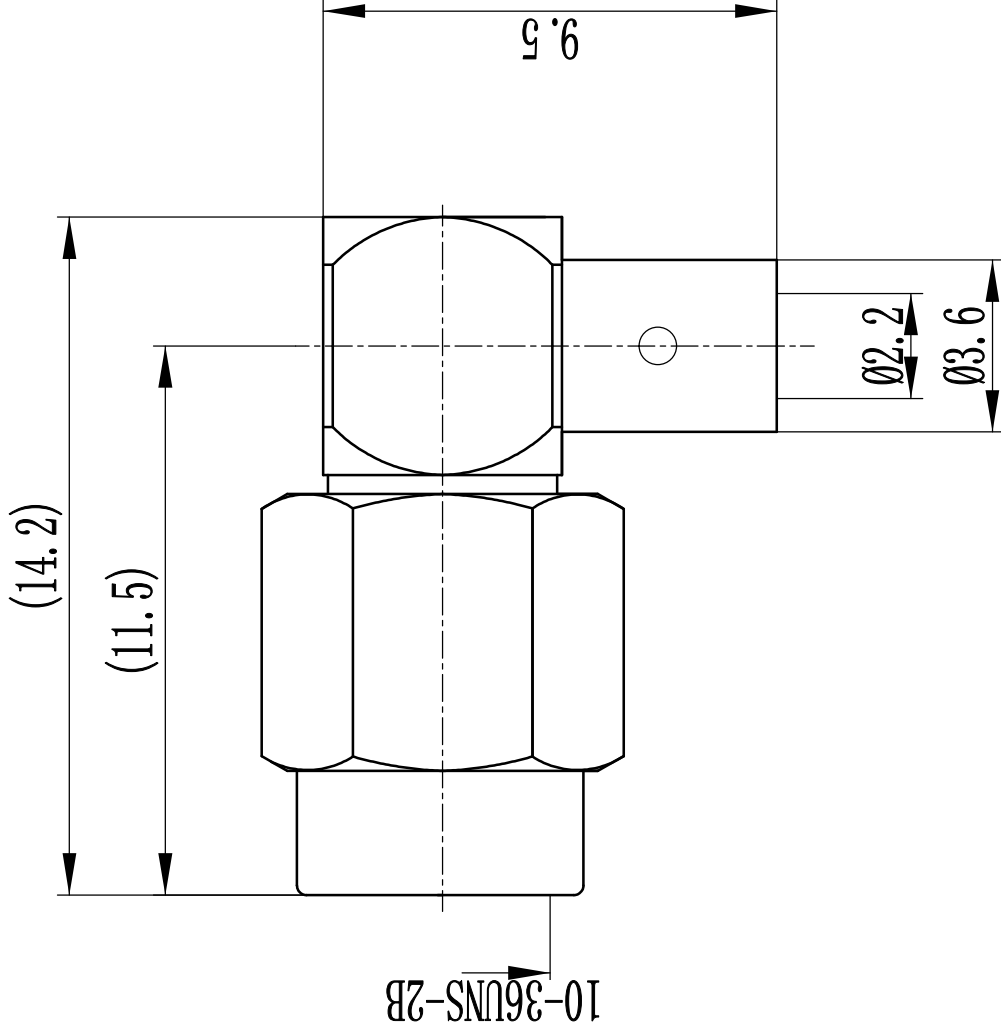


This document contains proprietary information and such information may not be disclosed to others for any purposes, not used for sales/marketing/procurement purposes without written permission

- 1. Electrical
  - 1.1 Impedence 50 Ω
  - 1.2 Frequency DC~6GHz
  - 1.3 Dielectric withstanding voltage 750V(volts RMS)
  - 1.4 Center contact resistance  $\leq 4M\Omega$
  - 1.5 Outer contact resistance  $\leq 2.5M\Omega$
  - 1.6 Insulation resistance:  $\geq 1000M\Omega$
- 2. Environmental & Mechanical
  - 2.1 Temperature range -40℃~+85℃
  - 2.2 RoHS Compliant
  - 2.3 Durability >500 cycles
- 3. Materials & plating
  - 3.1 Body: Brass; gold plated
  - 3.2 Insulator: Teflon
  - 3.3 Contact Pin: Brass, Gold plated
  - 3.4 Nut: Brass, gold plated
  - 3.5 Gasket: Silicon Rubber ( red color)



**Notes:**

- 1. ALL SPECIFICATIONS ARE SUBJECT TO CHANGE NOTICE AT ANY TIME
- 2. CUSTOMER OUTLINE DRAWING FOR REFERENCE ONLY

REV	DESCRIPTION OF REVISION	ECN NO.	BY	DATE	APPROVED
A	Initial Release		T. Haiyum	19/7/16	19/7/16

DRAWN: T. Haiyum 19/7/16		TITLE: RF Coaxial Connector			
ENGINEER: C. Tao 19/7/16		SSMA Male R/A Conn. for 086/RG405 Cable			
APPROVED: W. Qiang 19/7/16		www.teruilai.com			
TOLERANCES UNLESS OTHERWISE SPECIFIED		DIMENSION IN MILLIMETERS (mm)			
X	+0.50				
.X	+0.20				
.XX	+0.10				
ANGLES *°		SIZE: A4	SCALE: N/A	SHEET: 1/1	REV: A

4

3

2

1

4

3

2

1