

This document contains proprietary information and such information may not be disclosed to others for any purposes, not used for sales/marketing/procurement purposes without written permission

1 Electrical

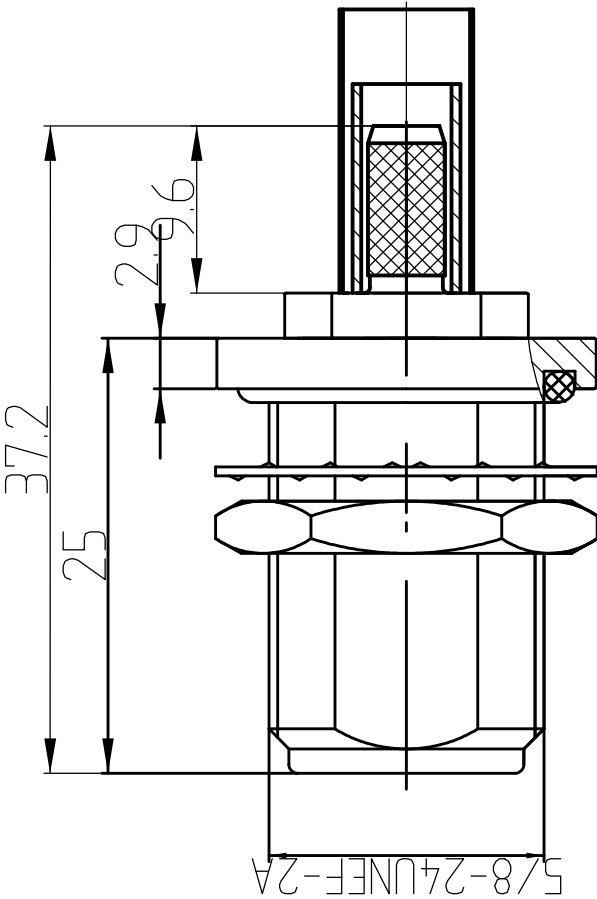
- 1.1 Impedance 50  $\Omega$
- 1.2 Frequency 0~3GHz
- 1.2 Dielectric withstanding voltage 1500V(volts RMS)
- 1.3 Working Voltage: 1000V rms
- 1.5 Insulation resistance:  $\geq 5000M\Omega$

2 Environmental&Mechanical

- 2.1 Temperature range -40 $^{\circ}C$ ~85 $^{\circ}C$
- 2.2 RoHS Compliant
- 2.3 Durability >500 cycles

3 Materials&plating

- 3.1 Body: Brass, nickel plated
- 3.2 Insulator: Teflon
- 3.3 Contact Pin: Phosphor bronze, Gold plated
- 3.4 Housing: Brass, nickel plated
- 3.5 Nut: Brass, nickel plated
- 3.6 Washer: Brass, nickel plated



Notes:

- 1. ALL SPECIFICATIONS ARE SUBJECT TO CHANGE NOTICE AT ANY TIME
- 2. CUSTOMER OUTLINE DRAWING FOR REFERENCE ONLY

REV	DESCRIPTION OF REVISION	ECN NO.	BY	DATE	APPROVED
A	Initial Release		T. Haiyum	18/05/08	18/05/08

DRAWN: T. Haiyum 18/05/08		TITLE: RF Coaxial Connector	
ENGINEER: C. Tao 18/05/08		N female B/H Conn. For RG58 cable sky window	
APPROVED: W. Qiang 18/05/08		SCALE: N/A	
TOLERANCES UNLESS OTHERWISE SPECIFIED		SHEET: 1/1	
X ±0.50		REV: A	
.X ±0.20		SIZE: A4	
.XX ±0.10		DIMENSION IN MILLIMETERS (mm)	
ANGLES ±1°		www.tfh-f.com	
PART NO: N-KYECY		www.tfh-f.com	

