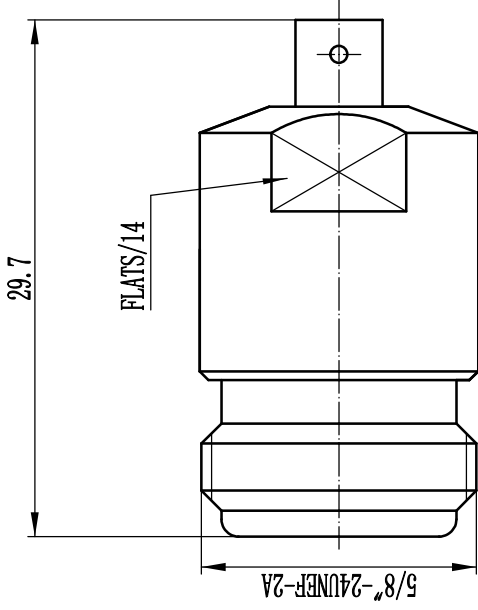


This document contains proprietary information and such information may not be disclosed to others for any purposes, not used for sales/marketing/procurement purposes without written permission

- 1 Electrical
  - 1.1 Impedence 50  $\Omega$
  - 1.2 Frequency 0~11GHz
  - 1.3 Dielectric withstanding voltage 1500V(volts RMS)
  - 1.4 Center contact resistance  $\leq 1M\Omega$
  - 1.5 Outer contact resistance  $\leq 0.2M\Omega$
  - 1.6 Insulation resistance:  $\geq 5000M\Omega$
- 2 Environmental&Mechanical
  - 2.1 Temperature range -45 $^{\circ}$ c~125 $^{\circ}$ c
  - 2.2 RoHs Compliant
  - 2.3 Durability >500 cycles
- 3 Materials&plating (Micro-inch)
  - 3.1 Body: Brass, nickel plated
  - 3.2 Insulator: Teflon
  - 3.3 Contact Pin: Bronze, Gold plated



REV	DESCRIPTION OF REVISION	ECN NO.	BY	DATE	APPROVED
A	Initial Release		T. Shihua	18/7/13	18/7/13

**Notes:**

- 1. ALL SPECIFICATIONS ARE SUBJECT TO CHANGE NOTICE AT ANY TIME
- 2. CUSTOMER OUTLINE DRAWING FOR REFERENCE ONLY

DRAWN: T. Shihua 18/07/13
ENGINEER: C. Tao 18/07/13
APPROVED: W. Qiang 18/07/13
TOLERANCES UNLESS OTHERWISE SPECIFIED
X +0.50
.X +0.20
.XX +0.10
ANGLES ±1°

<b>TITLE:</b>	
RF Coaxial Connector	
N female Conn. For .141 Cable	
PART NO:	N-KB3T

www.trelytech.com	
	DIMENSION IN MILLIMETERS (mm)
SIZE: A4	SCALE: 1:1
SHEET: 1/1	REV: A