

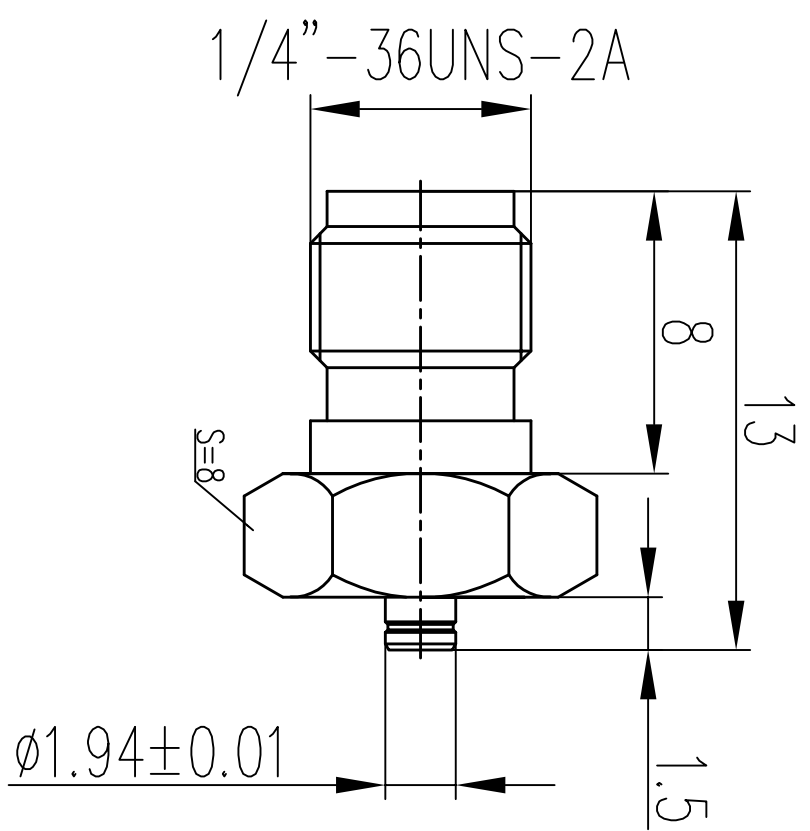
This document contains proprietary information and such information may not be disclosed to others for any purposes, not used for sales/marketing/procurement purposes without written permission

REV	DESCRIPTION OF REVISION	ECN NO.	BY	DATE	APPROVED
A	Initial Release		T.Shihua	1/8/14	1/8/14

- 1 Electrical
- 1.1 Impedance: 50Ω
  - 1.2 Frequency: DC-6GHz
  - 1.3 VSWR: 1.20:1

- 2 Mechanical&Environmental
- 2.1 Temperature range -45°C ~+85°C
  - 2.2 Durability(matings) >500
  - 2.3 RoHs Compliant Yes

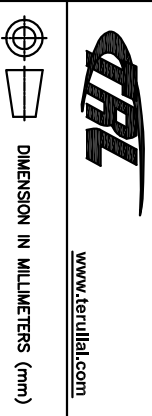
- 3 Material&Finish
- 3.1 Pin contact: Beryllium-Copper, gold plated
  - 3.2 Body: Stainless Steel(SUS303), Passivated
  - 3.3 Insulators: Teflon



Notes:

- 1. ALL SPECIFICATIONS ARE SUBJECT TO CHANGE NOTICE AT ANY TIME
- 2. CUSTOMER OUTLINE DRAWING FOR REFERENCE ONLY

DRAWN: T.Shihua 1/8/14		TITLE: Precision Adapter	
ENGINEER: C.Too 1/8/14		SMA Female to U.FL Male	
APPROVED: W.Qiang 1/8/14		PART NO: SMA/U.FL-KTG	
TOLERANCES UNLESS OTHERWISE SPECIFIED		SIZE: A4	
X	±0.30	SCALE: N/A	
X	±0.20	SHEET: 1/1	
XX	±0.10	REV: A	
ANGLES	±1°	www.ferullal.com	



1 2 3 4

A B A B