

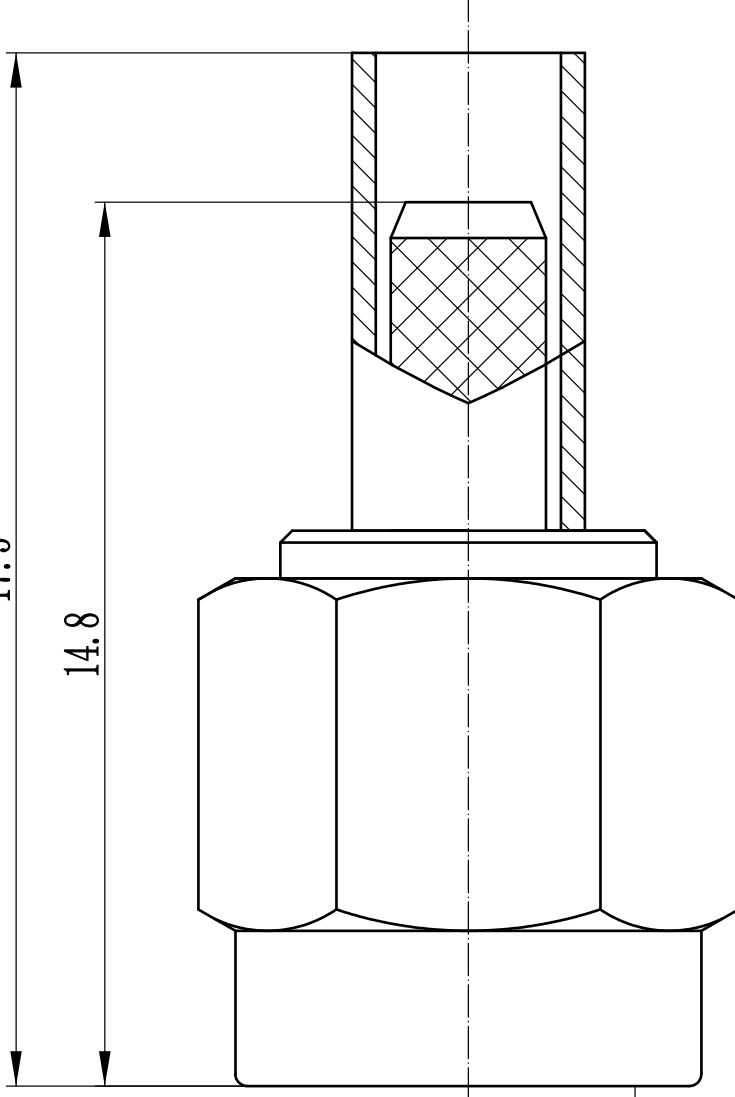
This document contains proprietary information and such information may not be disclosed to others for any purposes, not used for sales/marketing/procurement purposes without written permission

- 1 Electrical
 - 1.1 Impedence 50 Ω
 - 1.2 Frequency DC ~6GHz
 - 1.3 Dielectric withstanding voltage 1000V (volts RMS)
 - 1.4 Center contact resistance $\leq 3M\Omega$
 - 1.5 Outer contact resistance $\leq 2M\Omega$
 - 1.6 Insulation resistance: $\geq 5000M\Omega$
- 2 Environmental & Mechanical
 - 2.1 Temperature range -40 $^{\circ}$ C ~ +70 $^{\circ}$ C
 - 2.2 RoHS Compliant
 - 2.3 Durability >500 cycles
- 3 Materials & Plating
 - 3.1 Body: Brass; Gold plated
 - 3.2 Insulator: Teflon
 - 3.3 Contact Pin: Brass, Gold plated
 - 3.4 Nut: Brass, Gold Plated
 - 3.5 Gasket: Silicon Rubber (red color)
 - 3.6 Ferrule: Copper, Nickel plated

17.3

14.8

1/4" -36UNS-2B



REV	DESCRIPTION OF REVISION	ECN NO.	BY	DATE	APPROVED
A	Initial Release		T. Haiyuu	23/5/07	23/5/07

DRAWN : T. Haiyuu 23/5/07		TITLE:	
DESIGNED : C. Tao 23/5/07	RF Connector	www.tonkai.com	
APPROVED : W. Qiang 23/5/07	RF Connector	DIMENSION IN MILLIMETERS (mm)	
TOLERANCES UNLESS OTHERWISE SPECIFIED	SMA Male Str. Conn. for Cable		
X ±0.50		SIZE: A4	SCALE: 1/1
.X ±0.20		DATE: 23/5/07	APP: A
.XX ±0.10			
ANGLES ±°			

Notes:
 1. ALL SPECIFICATIONS ARE SUBJECT TO CHANGE NOTICE AT ANY TIME
 2. CUSTOMER OUTLINE DRAWING FOR REFERENCE ONLY