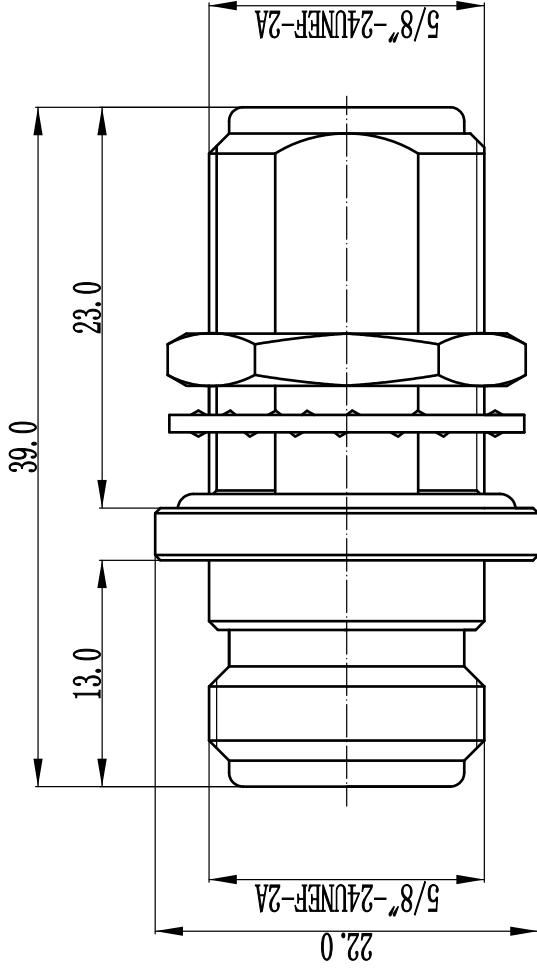
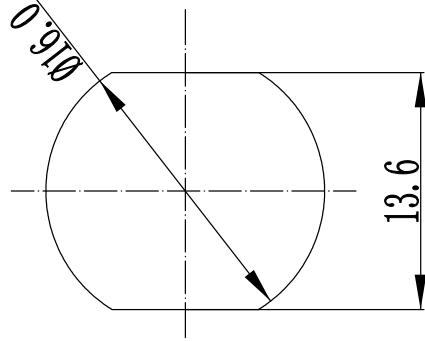


This document contains proprietary information and such information may not be disclosed to others for any purposes, not used for sales/marketing/procurement purposes without written permission



Mounting Hole



- 1 Electrical
 - 1.1 Impedence 50 Ω
 - 1.2 Frequency DC-6GHz
 - 1.3 Dielectric withstanding voltage 1500V(volts RMS)
 - 1.4 Center contact resistance $\leq 1M\Omega$
 - 1.5 Outer contact resistance $\leq 0.2M\Omega$
 - 1.6 Insulation resistance: $\geq 5000M\Omega$
 - 1.7 VSWR 1.20:1
- 2 Environmental&Mechanical
 - 2.1 Temperature range -45℃~85℃
 - 2.2 RoHs Compliant
 - 2.3 Durability >500 cycles

- 3 Materials&Finish
 - 3.1 Body: Brass, Nickel plated
 - 3.2 Insulator: Teflon
 - 3.3 Contact Pin: Brass, gold plated
 - 3.5 Nut: Brass, Nickel plated
 - 3.6 Washer: Phosphor bronze, nickel plated

REV	DESCRIPTION OF REVISION	ECN NO.	BY	DATE	APPROVED
A	New Release		T. Shihua	26/08/15	26/08/15

DRAWN :	T. Shihua 26/08/15
ENGINEER :	C. Tao 26/08/15
APPROVED :	W. Qiang 26/08/15
TOLERANCES UNLESS OTHERWISE SPECIFIED	
X	+0.50
.X	+0.20
.XX	+0.10
ANGLES	*°

TITLE:		RF Adaptor	
PART NO:		N-KYK3M	
SCALE:		N/A	
SHEET:		1/1	
REV:		A	
DIMENSION IN MILLIMETERS (mm)		www.bendai.com	



SIZE: A4
SCALE: N/A
SHEET: 1/1
REV: A