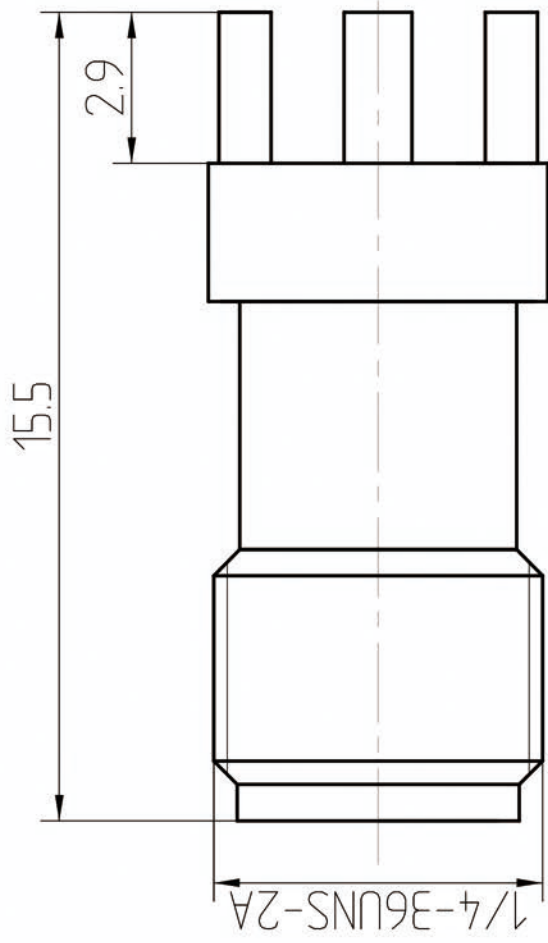
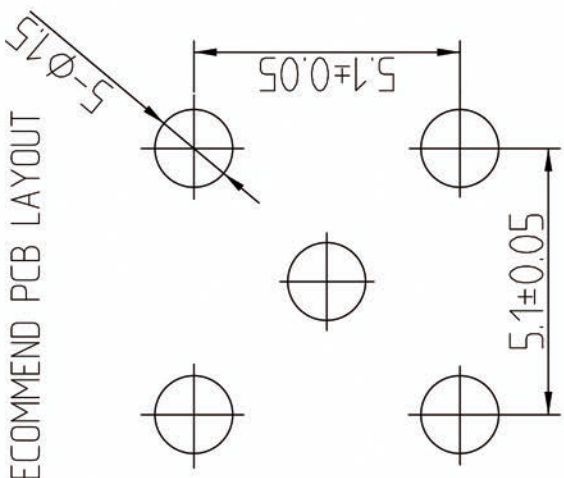


REVISION

REV	DESCRIPTION	DATE

RECOMMEND PCB LAYOUT



RoHS
Compliance

- 1 Electrical Data
- 11 Impedance: 50Ω
- 12 Working voltage: 335V(rms)
- 13 Frequency Range: 0-18GHz
- 14 Insulation resistance: 5000MΩ min
- 15 Dielectric strength: 1000V
- 16 Center contact resistance: 3MΩ max
- 17 Outer contact resistance: 2.5MΩ max
- 18 VSWR: 1.3:1

- 2 Material&Finish
- 2.1 Inner Contact: gold plated over Beryllium-copper.
- 2.2 Outer Contact: gold plated over brass.
- 2.3 Insulators: Teflon

NO.	DESCRIPTION	Q'TY	MATERIAL	PLATING	REMARKS
3	INSULATOR	1	TEFLON		
2	CONTACT	1	BRASS	Gold Plate	
1	BODY	1	BRASS	Gold Plate	

DATE	Jun 23, 10
APPROVED BY	Xin Li
CHECKED BY	Super-Ray
DRAWN BY	Fei Wang
CUSTOMER	
CUSTOMER CODE	
SCALE	5/1
UNIT	mm
WEIGHT	—
DWG NO.	A4
SHEET	

QPL www.rf-connector-china.com

TITLE: **SMA-KHD14**