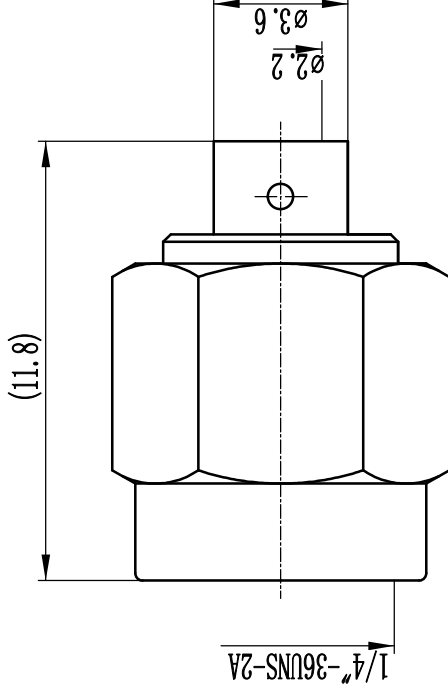


This document contains proprietary information and such information may not be disclosed to others for any purposes, not used for sales/marketing/procurement purposes without written permission

- 1 Electrical
  - 1.1 Impedence 50 Ω
  - 1.2 Frequency DC~18GHz
  - 1.2 Dielectric withstanding voltage 1000V(volts RMS)
  - 1.3 Center contact resistance ≤ 3MΩ
  - 1.4 Outer contact resistance ≤ 2MΩ
  - 1.5 Insulation resistance: ≥5000MΩ
  - 1.6 VSWR 1.30:1

- 2 Environmental&Mechanical
  - 2.1 Temperature range -45°~85°
  - 2.2 RoHS Compliant
  - 2.3 Durability >500 cycles

- 3 Materials&plating
  - 3.1 Body: Brass, Gold plated
  - 3.2 Insulator: Teflon
  - 3.3 Contact Pin: Brass Gold plated
  - 3.4 Nut: Stainless Steel, Passivated



**Notes:**

1. ALL SPECIFICATIONS ARE SUBJECT TO CHANGE NOTICE AT ANY TIME
2. CUSTOMER OUTLINE DRAWING FOR REFERENCE ONLY

REV	DESCRIPTION OF REVISION	ECN NO.	BY	DATE	APPROVED
A	Initial Release		T. Shihua	12/7/13	12/7/13

DRAWN: T. Shihua 12/07/13		TITLE: RF Coaxial Connector	
ENGINEER: C. Tao 12/07/13		www.rf-connector-china.com	
APPROVED: W. Qiang 12/07/13		SMA Male Conn. For .141 Cable	
TOLERANCES UNLESS OTHERWISE SPECIFIED		DIMENSION IN MILLIMETERS (mm)	
X	+0.50	[Symbol]	
.X	+0.20	[Symbol]	
.XX	+0.10	[Symbol]	
ANGLES °		[Symbol]	
PART NO: ISMA-JB2CA	SCALE: N/A	SHEET: 1/1	REV: A