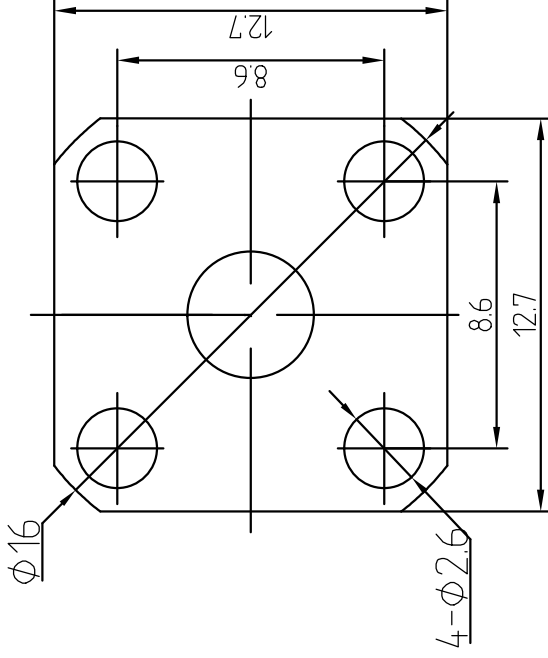
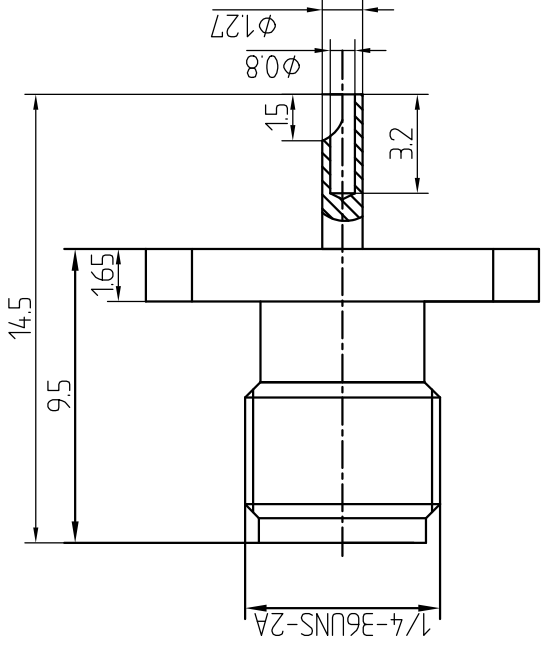


This document contains proprietary information and such information may not be disclosed to others for any purposes, not used for sales/marketing/procurement purposes without written permission

- 1 Electrical
 - 1.1 Impedance 50 Ω
 - 1.2 Frequency 0 ~ 18GHz
 - 1.6 VSWR 1.30:1
- 2 Environmental & Mechanical
 - 2.1 Temperature range -45 $^{\circ}$ C ~ 125 $^{\circ}$ C
 - 2.2 RoHS Compliant YES
 - 2.3 Durability > 500 cycles

- 3 Materials & plating
 - 3.1 Body: Brass; Gold, plated
 - 3.2 Insulator: Teflon
 - 3.3 Contact Pin: Beryllium Copper; Gold, plated



Notes:

- 1. ALL SPECIFICATIONS ARE SUBJECT TO CHANGE NOTICE AT ANY TIME
- 2. CUSTOMER OUTLINE DRAWING FOR REFERENCE ONLY

REV	DESCRIPTION OF REVISION	ECN NO.	BY	DATE	APPROVED
A	Initial Release		T. Haiyun	5/11/14	5/11/14

DRAWN: T. Haiyun 5/11/14		TITLE: RF Coaxial Connector		www.rf-connector-china.com	
ENGINEER: C. Tao 5/11/14		SMA Female Flange Connector Mount		DIMENSION IN MILLIMETERS (mm)	
APPROVED: W. Qiang 5/11/14		PART NO: SMA-RFD1008		SCALE: N/A	
TOLERANCES UNLESS OTHERWISE SPECIFIED		SIZE: A4		SHEET: 1/1	
X ±0.50	X ±0.20	ANGLES °/°		REV: A	
XX ±0.10	XX ±0.10				

