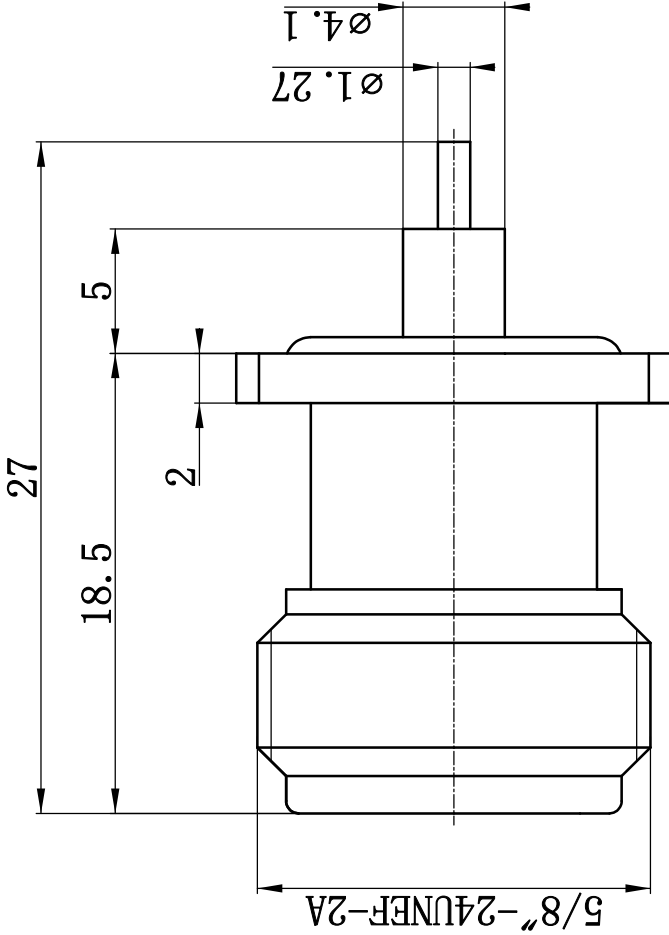


This document contains proprietary information and such information may not be disclosed to others for any purposes, not used for sales/marketing/procurement purposes without written permission

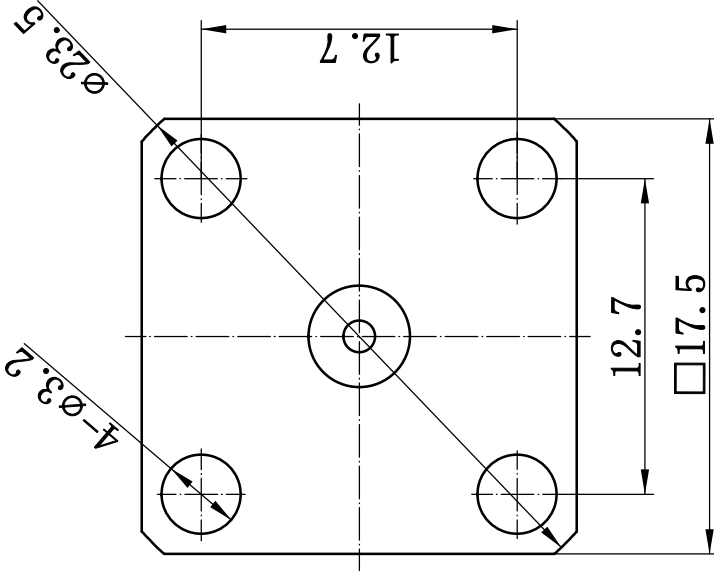


- 1 Electrical
 - 1.1 Impedance 50 Ω
 - 1.2 Frequency DC-11GHz
 - 1.3 Dielectric withstanding voltage 1500V (volts RMS)
 - 1.4 Center contact resistance ≤ 1MΩ
 - 1.5 Outer contact resistance ≤ 0.2MΩ
 - 1.6 Insulation resistance: ≥5000MΩ
- 2 Environmental/Mechanical
 - 2.1 Temperature range -55°C~125°C
 - 2.2 RoHS Compliant
 - 2.3 Durability >500 cycles
- 3 Material&Finish
 - 3.1 Body: Brass, Nickel-plated
 - 3.2 Insulator: Teflon
 - 3.3 Contact Pin: Bronze, gold plated
 - 3.4 Gasket: Silicon Rubber

Notes:

- 1. ALL SPECIFICATIONS ARE SUBJECT TO CHANGE NOTICE AT ANY TIME
- 2. CUSTOMER OUTLINE DRAWING FOR REFERENCE ONLY

| REV | DESCRIPTION OF REVISION | ECN NO. | BY | DATE | APPROVED |
|-----|-------------------------|---------|-----------|----------|----------|
| A | Initial Release | | T. Shihua | 28/04/15 | 28/04/15 |



| | |
|---------------------------------------|------------------------------------|
| DRAWN: T. Shihua 28/04/15 | TITLE: RF Coaxial Connector |
| ENGINEER: C. Tao 28/04/15 | N Female Straight Flange Connector |
| APPROVED: W. Qiang 28/04/15 | |
| TOLERANCES UNLESS OTHERWISE SPECIFIED | |
| X ±0.50 | |
| .X ±0.20 | |
| .XX ±0.10 | |
| ANGLES ±1° | |

CARL www.rf-conconnector-china.com

DIMENSION IN MILLIMETERS (mm)

SCALE: N/A

SHEET: 1/1

REV: A

PART NO: N-KFD1005M

SIZE: A4