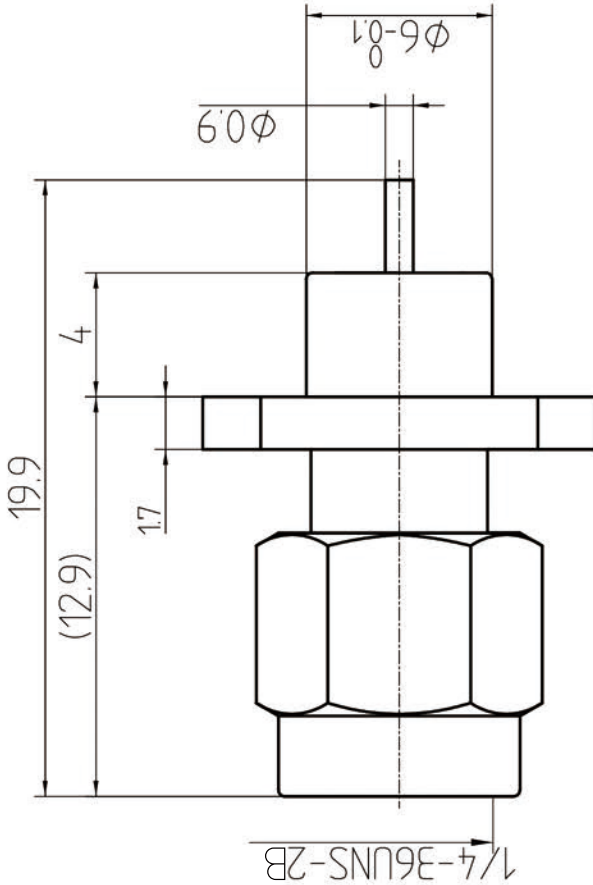
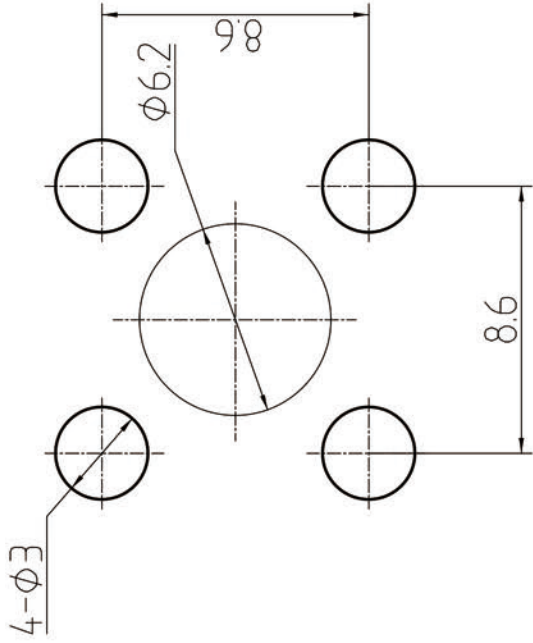


This document contains proprietary information and such information may not be disclosed to others for any purposes, not used for sales/marketing/procurement purposes without written permission

| REV | DESCRIPTION OF REVISION | ECN NO. | BY | DATE | APPROVED |
|-----|-------------------------|---------|-----------|---------|----------|
| A | Initial Release | | T. Haiyun | 5/11/14 | 5/11/14 |

Mounting Hole



- 1 Electrical
 - 1.1 Impedance
 - 1.2 Frequency
 - 1.2 Dielectric withstanding voltage
 - 1.3 Center contact resistance
 - 1.4 Outer contact resistance
 - 1.5 Insulation resistance:
 - 1.6 VSWR

50 Ω
 0~6GHz
 1000V (volts RMS)
 ≤ 3M Ω
 ≤ 2M Ω
 ≥ 5000M Ω
 1.2:1

2 Environmental&Mechanical

- 2.1 Temperature range -45°C~85°C
- 2.2 RoHs Compliant YES
- 2.3 Durability >500 cycles



3 Materials&plating

- 3.1 Body: Brass; Gold, plated
- 3.2 Insulator: Teflon
- 3.3 Contact Pin: Brass; Gold plated

Notes:

1. ALL SPECIFICATIONS ARE SUBJECT TO CHANGE NOTICE AT ANY TIME
2. CUSTOMER OUTLINE DRAWING FOR REFERENCE ONLY

| | |
|---------------------------------------|-----------------------------|
| DRAWN : T. Haiyun 5/11/14 | TITLE: RF Coaxial Connector |
| ENGINEER: C. Tao 5/11/14 | SMA male Flange Connector |
| APPROVED : W. Qiang 5/11/14 | Terminal |
| TOLERANCES UNLESS OTHERWISE SPECIFIED | |
| X +0.50 | |
| XX +0.20 | |
| ANGLES ±° | |

| | | | |
|---|------------|---|-------|
|  | |  | |
| www.terubi.com | | DIMENSION IN MILLIMETERS (mm) | |
| SIZE: A4 | SCALE: N/A | SHEET: 1/1 | RF: A |