

This document contains proprietary information and such information may not be disclosed to others for any purposes, not used for sales/marketing/procurement purposes without written permission

1 Electrical

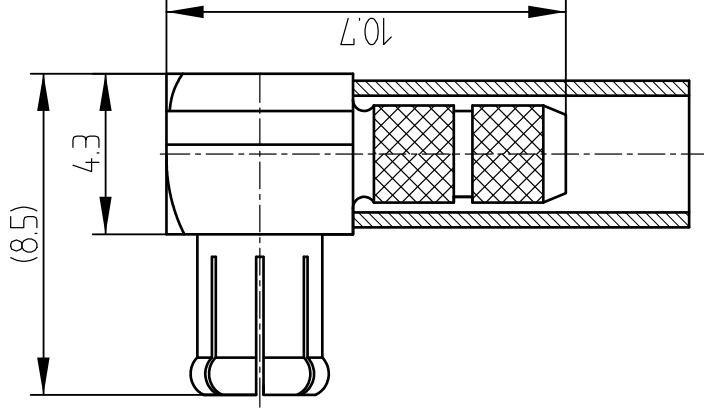
- 1.1 Impedence 50  $\Omega$
- 1.2 Frequency DC-6GHz
- 1.3 VSWR 1:30:1

2 Environmental&Mechanical

- 2.1 Temperature range -45 $^{\circ}$ c~125 $^{\circ}$ c
- 2.2 RoHs Compliant
- 2.3 Durability >500 cycles

3 Materials&Finish

- 3.1 Body: Brass, Gold plated
- 3.2 Insulator: Teflon
- 3.3 Contact Pin: Brass, gold plated
- 3.4 Contact spring: Beryllium copper, gold plated



Notes:

- 1. ALL SPECIFICATIONS ARE SUBJECT TO CHANGE NOTICE AT ANY TIME
- 2. CUSTOMER OUTLINE DRAWING FOR REFERENCE ONLY

REV	DESCRIPTION OF REVISION	ECN NO.	BY	DATE	APPROVED
A	Initial Release		T. Shihua	12/7/06	12/7/06

DRAWN : T. Shihua 12/07/06		TITLE:	
DESIGNED BY : C. Tao 12/07/06	RF Coaxial Connector	www.tandel.com	
APPROVED : W. Qiang 12/07/06	MCX male Str. Conn. For .R0316 cable	DIMENSION IN MILLIMETERS (mm)	
TOLERANCES UNLESS OTHERWISE SPECIFIED			
X	$\pm 0.50$	SIZE: A4	SHEET: 1/1
.X	$\pm 0.20$	SCALE: N/A	REV: A
.XX	$\pm 0.10$		
ANGLES	$\pm 1^{\circ}$		

