

This document contains proprietary information and such information may not be disclosed to others for any purposes, not used for sales/marketing/procurement purposes without written permission

A B

A B

1

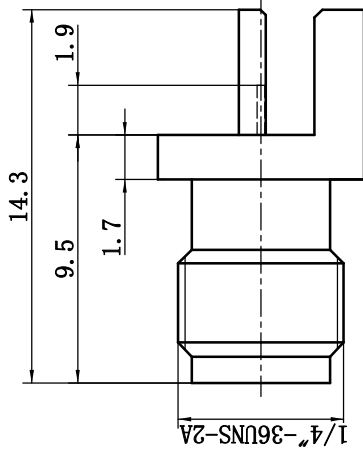
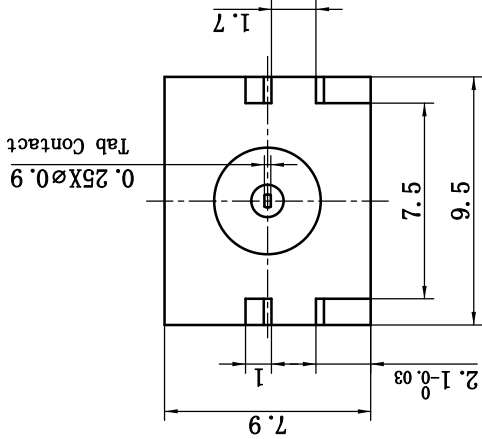
2

3

4

REV	DESCRIPTION OF REVISION	ECN NO.	BY	DATE	APPROVED
A	Initial Release		T. Haiyun	24/7/13	24/7/13

1. Electrical
 - 1.1 Impedence 50Ω
 - 1.2 Frequency DC~6GHz
 - 1.3 VSWR 1.20:1 (0-3GHz)
2. Environmental&Mechanical
 - 2.1 Temperature range -55℃~125℃
 - 2.2 Rofhs Compliant
 - 2.3 Durability >500 cycles
3. Materials&plating
 - 3.1 Body: Brass; Gold plated
 - 3.2 Insulator: Teflon
 - 3.3 Contact Pin: Beryllium Copper; Gold plated



DRAWN: T. Haiyun 24/07/13
ENGINEER: C. Tao 24/07/13
APPROVED: W. Qiang 24/07/13
TOLERANCES UNLESS OTHERWISE SPECIFIED
X ±0.50
.X ±0.20
.XX ±0.10
ANGLES ±1°

TITLE: RF Coaxial Connector		www.terulilai.com	
SMA Female Conn. PCB Edge Mount		DIMENSION IN MILLIMETERS (mm)	
PART NO: SMA-KHDC5-F	SCALE: N/A	SHEET: 1/1	REV: A

Notes:

1. ALL SPECIFICATIONS ARE SUBJECT TO CHANGE NOTICE AT ANY TIME
2. CUSTOMER OUTLINE DRAWING FOR REFERENCE ONLY

1

2

3

4