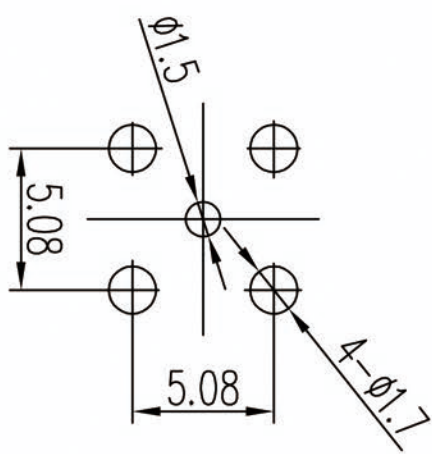
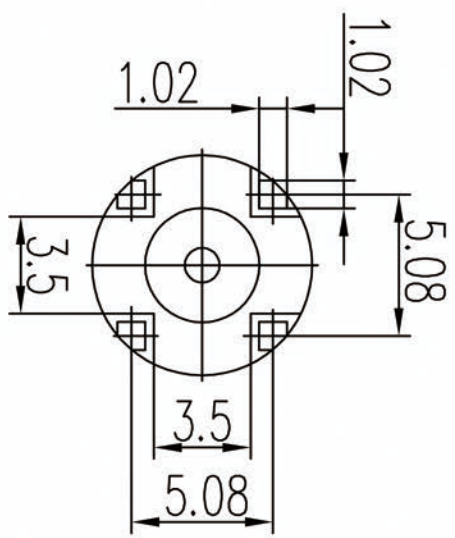
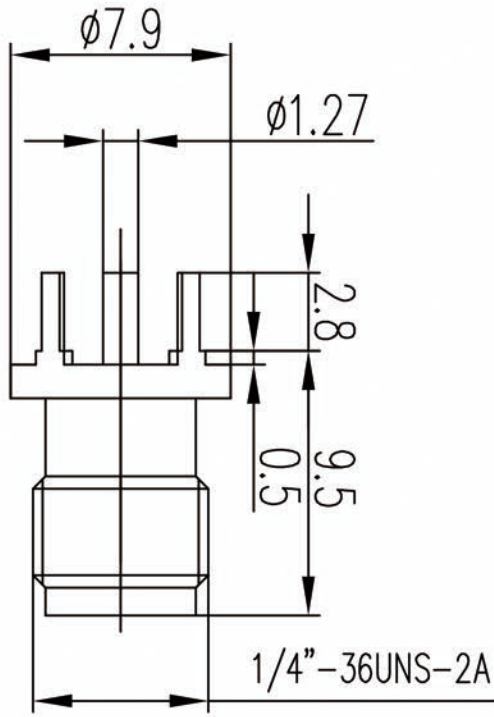


This document contains proprietary information and such information may not be disclosed to others for any purposes, not used for sales/marketing/procurement purposes without written permission



- 1 Electrical**
- 1.1 Impedance: 50Ω
 - 1.2 Frequency: DC~18GHz
 - 1.3 Dielectric withstanding voltage: 1000V(volts RMS)
 - 1.4 Center contact resistance: ≤ 3mΩ
 - 1.5 Outer contact resistance: ≤ 2mΩ
 - 1.6 Insulation resistance: ≥5000MΩ
 - 1.7 VSWR: 1.25:1

- 2 Environmental&Mechanical**
- 2.1 Temperature range: -40°~+70°
 - 2.2 RoHS Compliant
 - 2.3 Durability: >500 cycles

- 3 Materials&plating**
- 3.1 Body: Brass, Gold Plated
 - 3.2 Insulator: Teflon,
 - 3.3 Contact Pin: Beryllium-copper, Gold plated

Notes:

- 1. ALL SPECIFICATIONS ARE SUBJECT TO CHANGE NOTICE AT ANY TIME
- 2. CUSTOMER OUTLINE DRAWING FOR REFERENCE ONLY

REV	DESCRIPTION OF REVISION	ECN NO.	BY	DATE	APPROVED
A	Initial Release		T.Holjun	6/8/16	6/8/16

<p>DRAWN: T.Holjun 6/8/16</p> <p>ENGINEER: C.Too 6/8/16</p> <p>APPROVED: W.Qiang 6/8/16</p> <p><small>TOLERANCES UNLESS OTHERWISE SPECIFIED</small></p> <p>X 0.050 X 0.20 XX 0.10 ANGLES 30°</p>	<p>TITLE: SMA-KHD3</p> <p>SMA Female Conn. PCB</p> <p>PART NO: TRL-SMAM-468926</p>
<p>www.rf-connector-china.com</p>	
<p>SIZE: A4</p> <p>SCALE: 1:1</p> <p>SHEET: 1/1</p> <p>REV: A</p>	<p>DIMENSION IN MILLIMETERS (mm)</p>