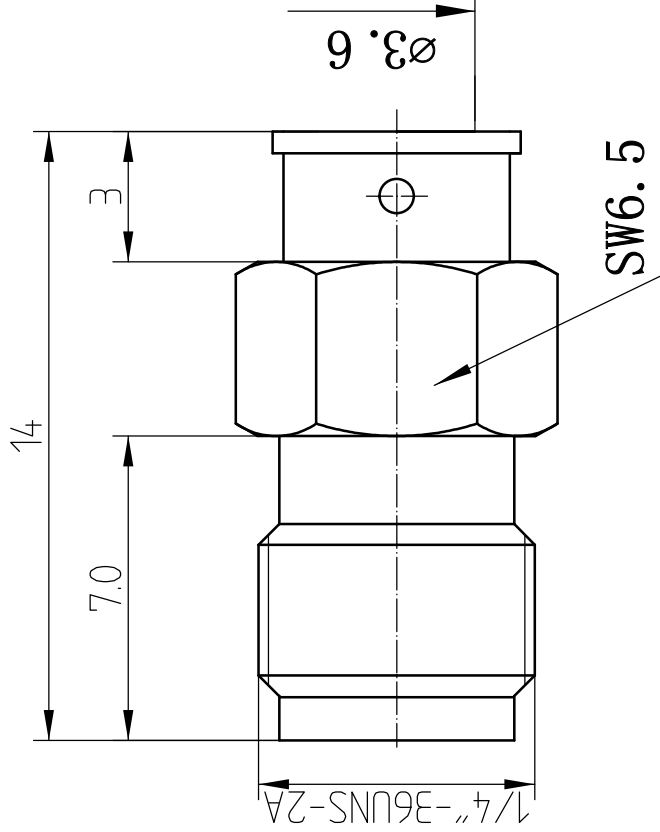


This document contains proprietary information and such information may not be disclosed to others for any purposes, not used for sales/marketing/procurement purposes without written permission

- 1 Electrical
- 1.1 Impedance: 50 Ω
 - 1.2 Frequency: DC ~18GHz
 - 1.2 Dielectric withstanding voltage: 1000V (vatis RMS)
 - 1.3 Center contact resistance: ≤ 3MΩ
 - 1.4 Outer contact resistance: ≤ 2MΩ
 - 1.5 Insulation resistance: ≥ 5000MΩ
 - 1.6 VSWR: < 1.05 + 0.02F
- 2 Environmental & Mechanical
- 2.1 Temperature range: -45°C ~ 85°C
 - 2.2 RoHS Compliant
 - 2.3 Durability: > 500 cycles

3 Materials & plating


- 3.1 Body: Brass, Gold plated
- 3.2 Insulator: Teflon
- 3.3 Contact Pin: Brass Gold plated



Notes:

- 1. ALL SPECIFICATIONS ARE SUBJECT TO CHANGE NOTICE AT ANY TIME
- 2. CUSTOMER OUTLINE DRAWING FOR REFERENCE ONLY

REV	DESCRIPTION OF REVISION	ECN NO.	BY	DATE	APPROVED
A	Initial Release		T. Shihua	12/7/13	12/7/13

DRAWN: T. Shihua 12/07/13 ENGINEER: C. Tao 12/07/13 APPROVED: W. Qiang 12/07/13 TOLERANCES UNLESS OTHERWISE SPECIFIED X +0.50 .X +0.20 .XX +0.10 ANGLES °	TITLE: RF Coaxial Connector SMA Female Conn. For .141 Cable	 www.rfconnector-china.com
PART NO: ISMA-KB3A	SCALE: N/A	DIMENSION IN MILLIMETERS (mm)
SHERT: A4	SIZE: A4	REV: A