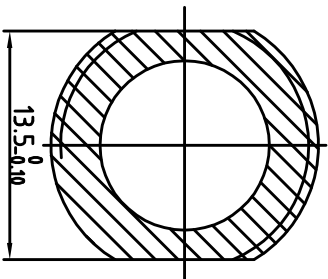
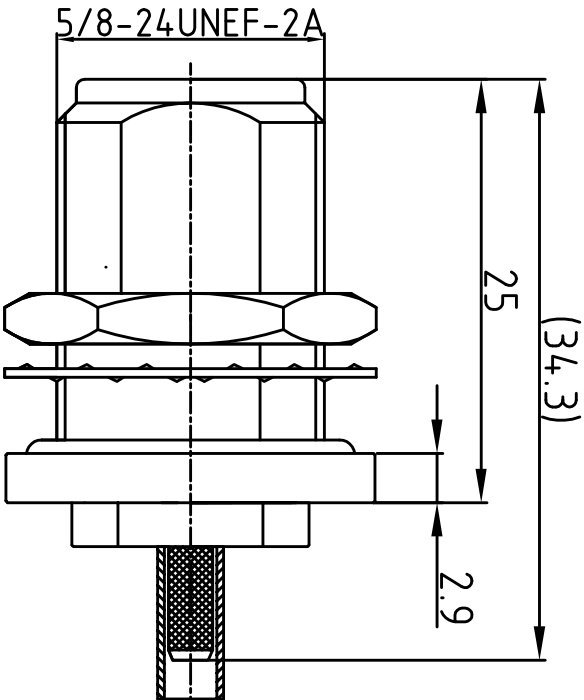


This document contains proprietary information and such information may not be disclosed to others for any purposes, not used for sales/marketing/procurement purposes without written permission

REV	DESCRIPTION OF REVISION	ECN NO.	BY	DATE	APPROVED
A	New Release		T.Shihua	26/08/15	26/08/15



- 1 Electrical**
- 1.1 Impedance: 50  $\Omega$
  - 1.2 Frequency: DC-6GHz
  - 1.3 Dielectric withstanding voltage: 1500V(volts RMS)
  - 1.4 Center contact resistance:  $\leq 1m\Omega$
  - 1.5 Outer contact resistance:  $\leq 0.2m\Omega$
  - 1.6 Insulation resistance:  $\geq 5000M\Omega$

- 2 Environmental&Mechanical**
- 2.1 Temperature range:  $-55^{\circ}C \sim 155^{\circ}C$
  - 2.2 RoHS Compliant
  - 2.3 Durability:  $>500$  cycles

- 3 Materials&Finish**
- 3.1 Body: Brass, Nickel plated
  - 3.2 Insulator: Teflon
  - 3.3 Contact Pin: Brass, gold plated
  - 3.5 Nut: Brass, Nickel plated
  - 3.6 Washer: Phosphor bronze, nickel plated

**Notes:**

- 1. ALL SPECIFICATIONS ARE SUBJECT TO CHANGE NOTICE AT ANY TIME
- 2. CUSTOMER OUTLINE DRAWING FOR REFERENCE ONLY

DRAWN: T.Shihua 26/08/15 ENGINEER: C.Too 26/08/15 APPROVED: W.Qiang 26/08/15 <small>TOLERANCES UNLESS OTHERWISE SPECIFIED</small> X ±0.30 XX ±0.20 ANGLES ±1°	<b>TITLE:</b> N-KV3YD N female B/H Connector For RG316 Cable	 www.ferullal.com DIMENSION IN MILLIMETERS (mm)
<b>PART NO:</b> TRL-NF-26386D	<b>SIZE:</b> A4 <b>SCALE:</b> N/A	<b>SHEET:</b> 1/1 <b>REV:</b> A