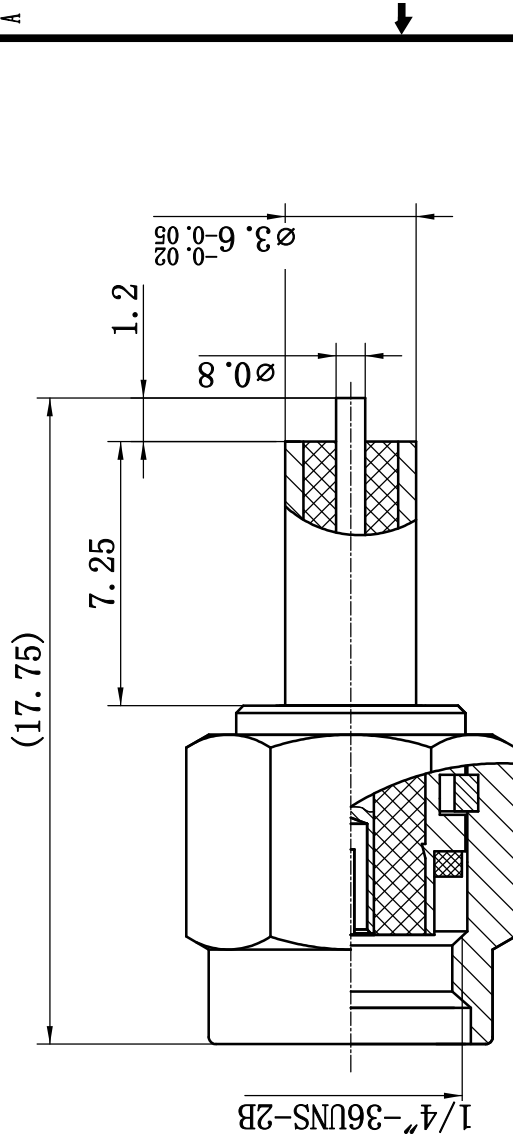


This document contains proprietary information and such information may not be disclosed to others for any purposes, not used for sales/marketing/procurement purposes without written permission

- 1 Electrical
 - 1.1 Impedance 50 Ω
 - 1.2 Frequency DC~6GHz
 - 1.3 VSWR 1.20:1
- 2 Environmental&Mechanical
 - 2.1 Temperature range -45°C~+125°C
 - 2.2 RoHs Compliant
 - 2.3 Durability >500 cycles
- 3 Materials&plating
 - 3.1 Body: Brass, Gold plated
 - 3.2 Insulator: Teflon
 - 3.3 Contact Pin: Beryllium-copper, Gold plated
 - 3.4 Nut: Brass, Gold Plated
 - 3.5 Gasket: Silicon Rubber (red color)



Notes:

1. ALL SPECIFICATIONS ARE SUBJECT TO CHANGE NOTICE AT ANY TIME
2. CUSTOMER OUTLINE DRAWING FOR REFERENCE ONLY

REV	DESCRIPTION OF REVISION	ECN NO.	BY	DATE	APPROVED
A	Initial Release		T. Haiyun	23/5/07	23/5/07

DRAWN: T. Haiyun 23/5/07		TITLE: RF Coaxial Connector		www.teruillai.com	
ENGINEER: C. Tao 23/5/07		RPSMA Male Str. Conn. Terminal		DIMENSION IN MILLIMETERS (mm)	
APPROVED: W. Qiang 23/5/07		PART NO: RPSMA-KD2		SCALE: N/A	
TOLERANCES UNLESS OTHERWISE SPECIFIED		SIZE: A4		SHEET: 1/1	
X ±0.50	ANGLES ±1°		REV: A		
.X ±0.20					
.XX ±0.10					